

Solar Panel Mounting Bracket



WI-BRKP133

Overview

Wi-Tek solar panel mounting bracket designed for the small-medium pole-mounted solar power application. It adopts a modular installation design, suitable for 76mm~105mm round poles, can also be compatible with square poles, can flexibly adapt to a variety of solar panels, ideal for up to 900mm wide and 25~35mm thickness, and the large Angle can be flexibly adjusted to meet the installation needs of different regions. Made with heavy galvanized steel, it is baking varnish, anti-ultraviolet, resists corrosion, and is designed for durability in harsh environments.

Features

Rugged construction

A heavy galvanized steel body can withstand huge wind load and snow load.

Advanced Outdoor Protection

Galvanized steel with baking varnish surface treatment can be anti-aging, gas corrosion resistant, UV damage resistant, acid and alkali corrosion resistant, and salt spray moisture resistant.

Flexible Modular Installation

Modular structure design, expandable width frame, and adjustable thickness splint can support a variety of sizes of solar panels, and adjustable large Angles to support the installation needs of different regions.

Specifications



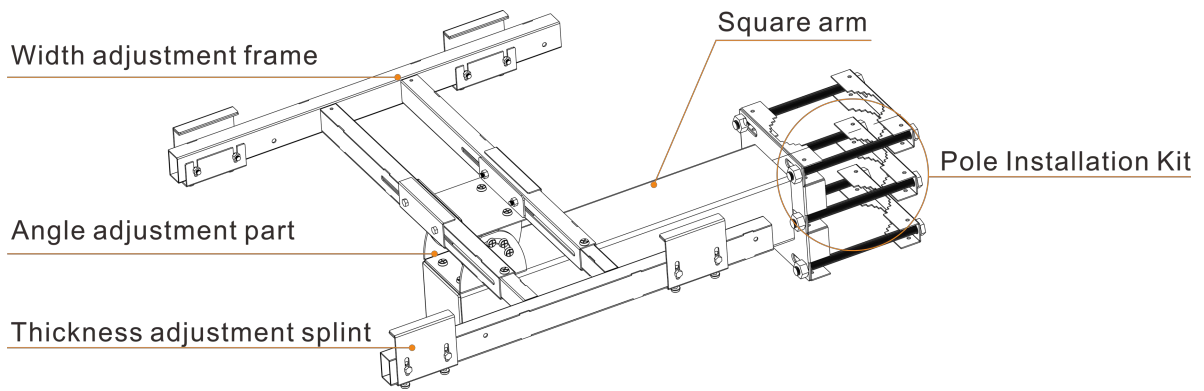
Products	WI-BRKP133
Solar Panel Installation	
Adjustable Angle	Recommend: 0°~50°; Maximum: 0~75°
Recommend Solar Panel Width	540mm~900mm
Adjustable Solar Panel Thickness	25mm~35mm
Recommend Solar Panel Weight	<30kg
Installation Pole*	76mm~105mm round pole mounted, 50mm~80mm square pole mounted
Mechanical Property	
Material	SGCC
Thickness	2mm
Color	White
Dimensions	Square arm: 100*100*500mm Angle adjustment part: 100*100*78mm Solar panel Installation Kit: 930*580*74mm (Max. size), 540*580*74mm (Min. size) Pole installation kit: 170*180*170mm@133mm pole, 170*180*90mm@76mm pole
Weight	13.7kg
Package Dimensions	620*600*200mm
Package Weight	14.8kg

* The pole size which is needed to be supported can be customized.

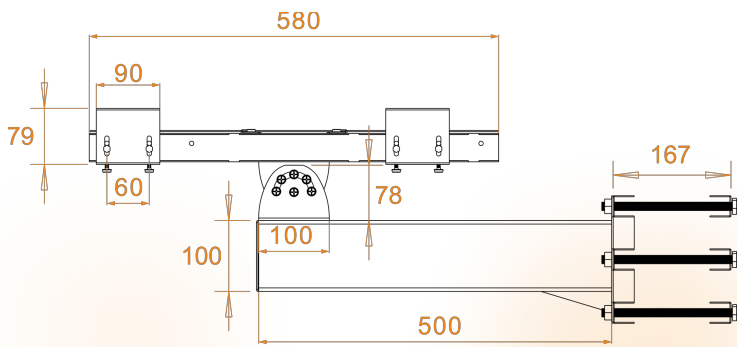
Appearances and Dimensions

WI-BRKP133

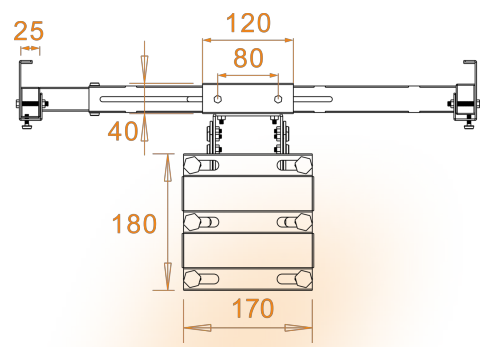
Appearances



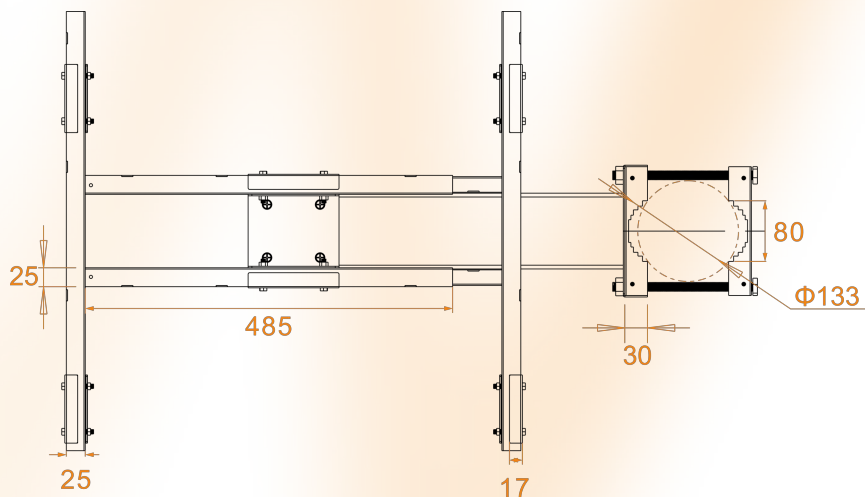
Side Dimensions(mm)



Rear Dimensions(mm)



Top Dimensions(mm)



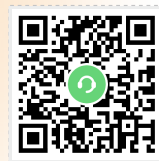
Package Contents

Welcome to order our products. After purchasing, you will receive:

Items	Quantity
Solar Panel Mounting Bracket	1 pcs



Wireless-Tek Technology Limited
 Address: Building 3, Units 1801-1807, 1812, Huaqiang Era Plaza, Tangwei Community, Fuhai Street, Bao'an District, Shenzhen City, Guangdong Province, China.
 Website: www.wireless-tek.com
 Tel: 86-0755-32811290
 Email: sales@wireless-tek.com
 Technical Support: tech@wireless-tek.com



Technical Support



Cloud Management



Company Website