



Outdoor Cloud PoE Switch

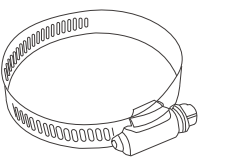
WI-PCMS310GF-O

www.wireless-tek.com

1. Package Contents



1 x Waterproof PoE Switch

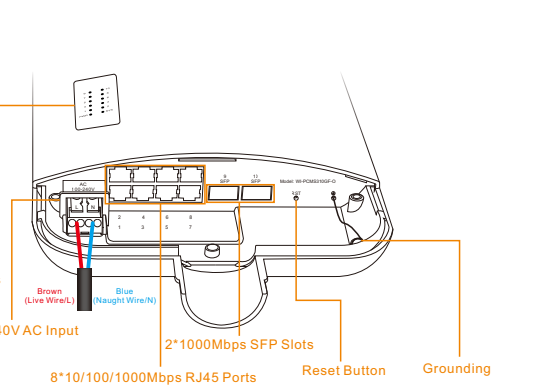


2 x Metal strap



1 x Quick installation guide

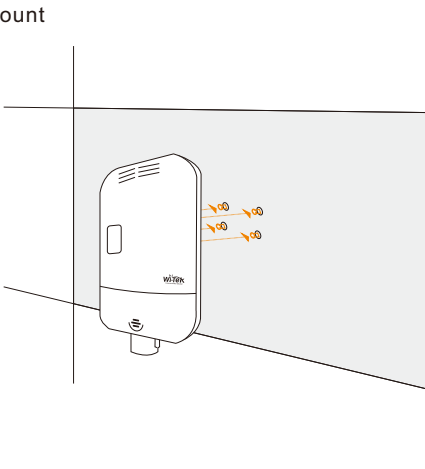
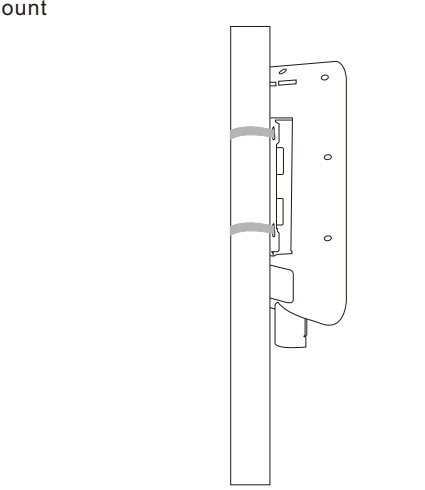
2. Product Overview



• LED Indicator

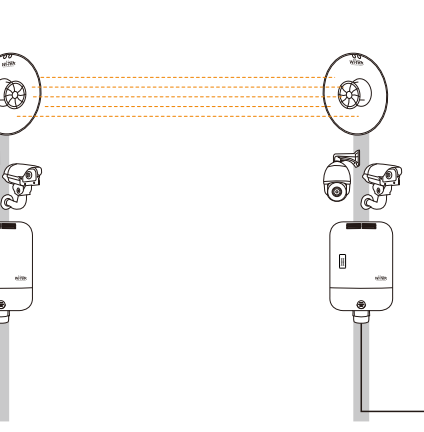
LED	Function
PWR	Off: No Power supply. On: The switch is powered on.
SYS	Blinking: the system works Off: the system is starting or has no power
SFP	Off: No device is connected to the corresponding port. On: Indicates the link through that port is successfully established at 1000Mbps. Blink: Indicates that the Switch is actively sending or receiving data over that port.
LNK/ACT	Off: The network is not connected. On: A 10/100/1000M network device is connected. Blinking: Data is being transferred.

3. Hardware Installation



4. Networking Application

First power on the device, connect the internet to the WAN port of the gateway, connect the other LAN port of the gateway to the cloud outdoor PoE switch, and then connect the PC to the switch. Make sure the PC and gateway are on the same sub-net.



• Log in to the switch locally

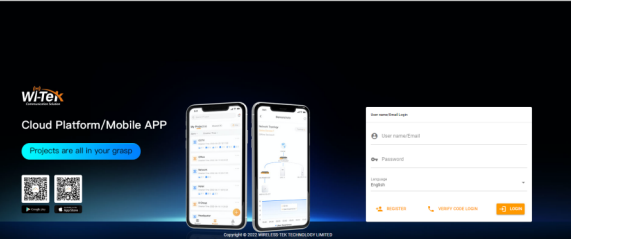
Let the Switch obtain an IP address and then check the DHCP server to see which IP address was assigned. The Switch is set to DHCP by default, so it will try to automatically obtain an IP address. If that fails, then it will use the default fallback IP address, 192.168.0.1

To log in, follow these steps:
1. Launch your web browser. Type the appropriate IP address in the address field.
2. The login screen will appear. Enter admin in the Username and Password fields.



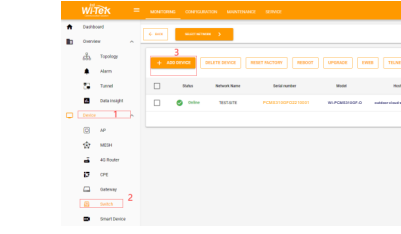
• Cloud login switch configuration

1. Log in to the cloud management interface
(No account, you need to register an account to log in, The URL is: <http://cloud2.wireless-tek.com>)



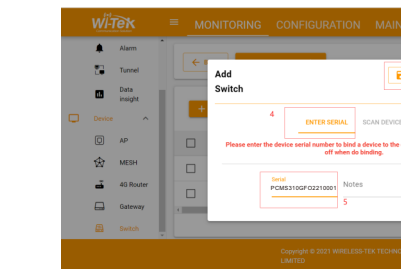
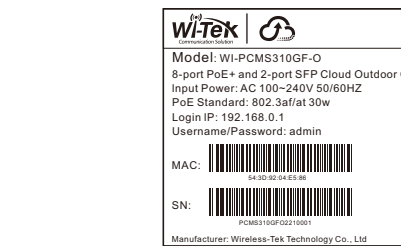
2. Enter the cloud binding switch

(explain: The switch must be connected to the Internet to bind successfully)



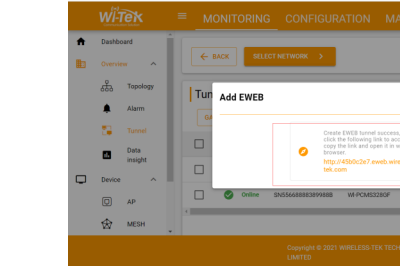
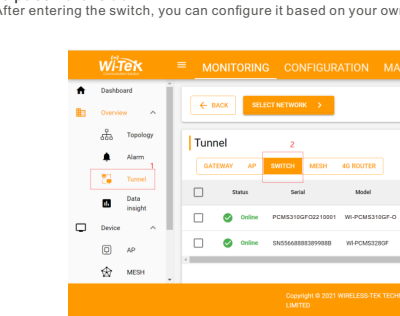
Please enter the device serial number to bind a device to the current group, device can be off when binding.

Explanation: The 17-digit SN code of the switch is shown on the sticker on the back of the switch as shown in the figure below.



3. After binding, you can use the Switch in the Tunnel option in the cloud management, and then choose to use EWEB or TELNET to enter the switch. The default account is admin and the password is admin.

(After entering the switch, you can configure it based on your own needs)



Warranty Card

Username	
Address	
Telephone No.	
Purchase Shop	
Purchase Address	
Product Model No.	
Purchase Time	
Serial No.	
Dealer Signature	

- If the product defects within three months after purchase, we will provide you a new product of the same model.
- If the product defects within the three-year warranty period, we will provide the professional maintenance service.
- Proof of purchase and a complete product serial number are required to receive any services guaranteed as part of the limited warranty.
- Any other defects that are not caused by workmanship or product quality, such as natural disaster, water damage, extreme thermal or environmental conditions, sticker damaged, warranty card losing will disqualify the product from limited warranty.



Wireless-Tek Technology Limited
 Address: Biaofang Technology Building 402, Bao'an street,
 Baoan District, Shenzhen City, Guangdong, China
 Website: www.wireless-tek.com
 Tel: 86-0755-32811290
 Email: sales@wireless-tek.com
 Technical Support: tech@wireless-tek.com

