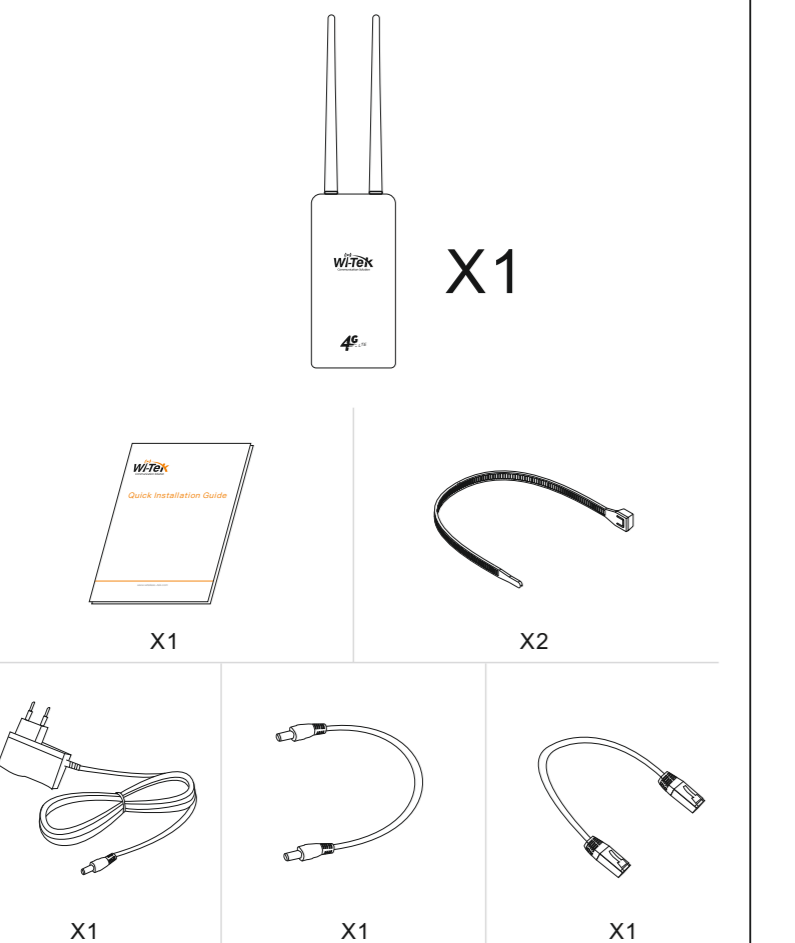
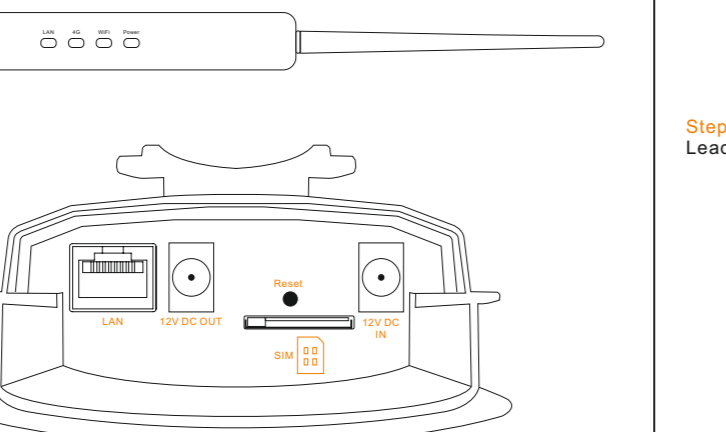


WI-LTE115-O(V2)

### 1. Package Content



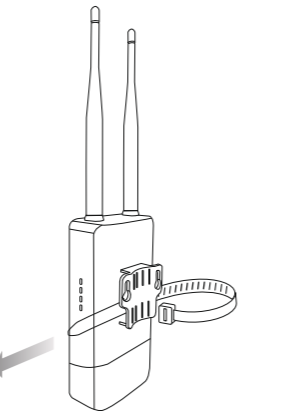
### 2. Hardware Overview



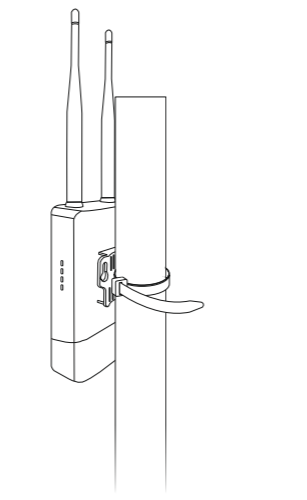
LED	Description
PWR	On: the device is powered up. Off: the device is powered off.
SYS	On: the device is running normally. Off: the device is running abnormal.
4G	On: 4G is running normally. Off: 4G is running abnormal.
LAN	On: PC or other Ethernet network device is connected. Off: No PC or other Ethernet network device is connected.

### 3. Mounting

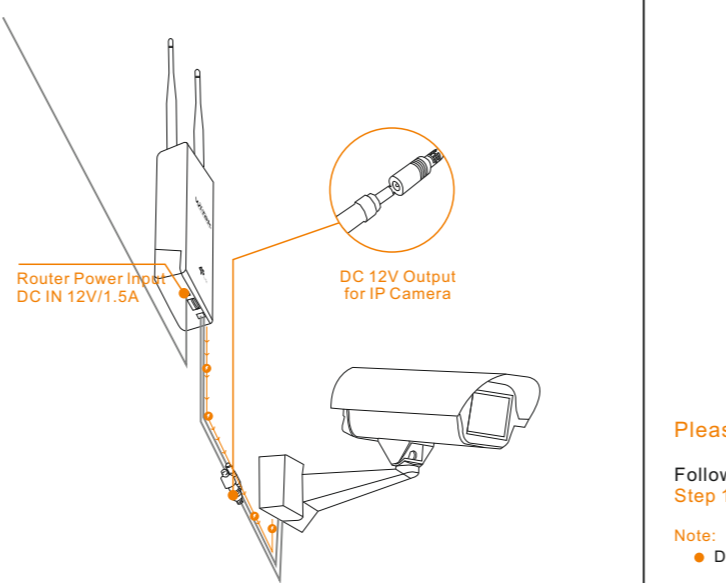
**Step 1:**  
Lead the end of the pole mounting



**Step 2:**  
Fix the device position and wrap the pole installation strap around the pole. Pass one end through the screw block and tighten the belt until the device is secured.



### 4. Network Application



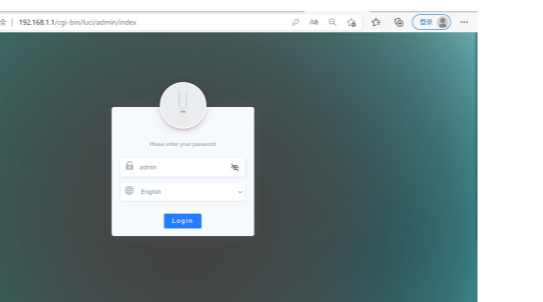
Please connect devices according to the above topology.

Follow the steps for quick Router configuration, using initial setup wizard:  
**Step 1** Connect your PC to device via Ethernet or Wireless.

**Note:**

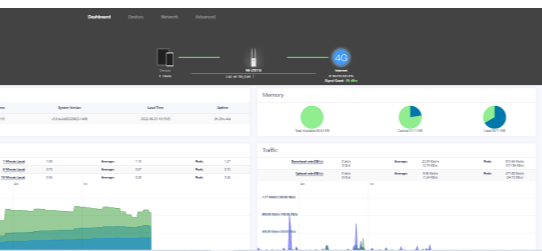
- Default WiFi name: **WI-TEK\_XXXX**, Password: **88888888**

**Step 2** Launch your web browser then enter <http://192.168.1.1> in the address bar and specify the default login key: **admin**.



### 5. Login Method

The following page is displayed after successfully logging in to the device.

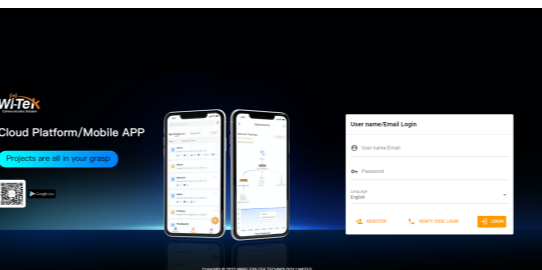


**Cloud management settings**  
The following page is displayed after successfully logging in to the device.

**Step 1** Launch your web browser then enter <http://cloud2.wireless-tek.com> in the address bar.

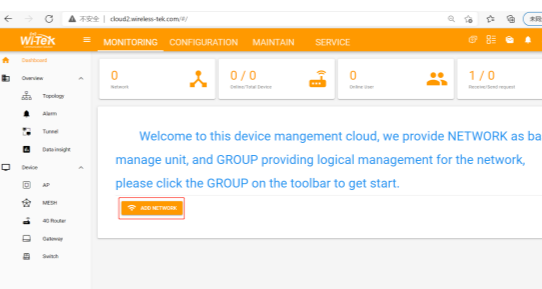
**Step 2** Register an account password by user name or email.

**Step 3** log in to the cloud account with the account password after registration.

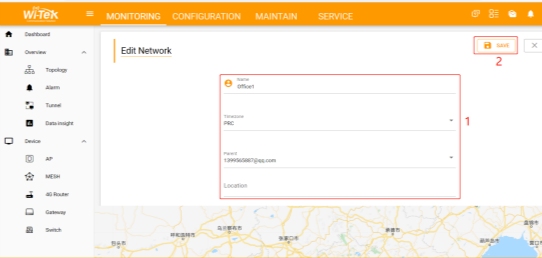


After the login is successful, the steps to bind the device on the cloud account are as follows:

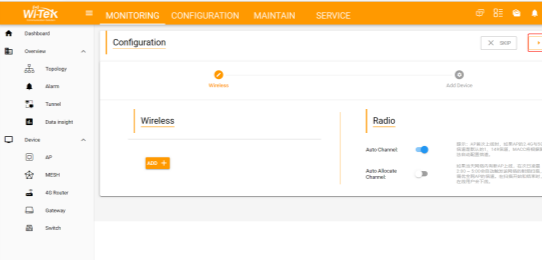
1) Click **ADD NETWORK**



2) Fill in the group name and location, click **save**.

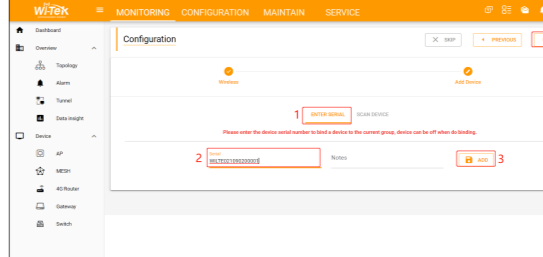


3) And click **next**.

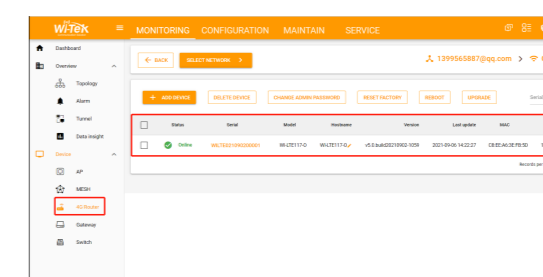


4) Enter serial number, click **ADD** to create and click **FINISH**, the configuration is complete.

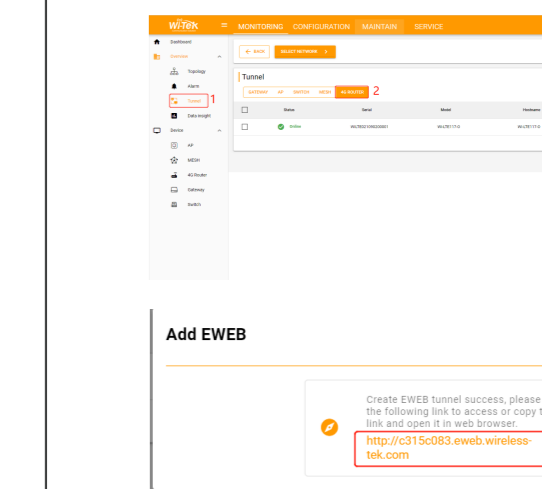
**Note:**  
The 17-digit SN code of the 4G Router is shown on the sticker on the back of the device.



5) In the relevant device options, you can see the bound device information.



6) Click **Tunnel**, select **4G Router**, click **EWEB** to log in to the device



### Warranty Card

Username	
Address	
Telephone No.	
Purchase Shop	
Purchase Address	
Product Model No.	
Purchase Time	
Serial No.	
Dealer Signature	

- If the product defects within the warranty period, we will provide professional maintenance service.
- Proof of purchase and a complete product serial number are required to receive any services guaranteed as part of the limited warranty.
- Any other defects that are not caused by workmanship or product quality, such as natural disasters, water damage, extreme thermal or environmental conditions, sticker damaged, warranty card loss will disqualify the product from limited warranty.

