

48V 802.3af/at Fiber PoE Switch

WI-PS105F | WI-PS110F | WI-PS128GF | WI-PS150GF



Overview

Wi-Tek unmanaged PoE Switch provide 4/8/24/48 Gigabit Ethernet RJ-45 ports. All RJ-45 ports comply with 802.3af/at PoE standard and output up to 30W PoE power per port.

Wi-Tek unmanaged PoE Switch provide play and plug function, simplifying the utility for the device without any configuration and enhancing the user's efficiency. At the same time, they can supply PoE power ranging from 65W to 700W and provide high-speed data transmission with excellent fiber ports when transmitting with APs, and IP IP phones, which can meet application demand in diverse scenarios such as in hotels, communities, schools, CCTV surveillance and small-to-medium enterprises.

Features

Gigabit Combo uplink design

With Gigabit combo uplink design which can serve as RJ45 port or SFP slot, Wi-Tek unmanaged PoE Switch meet the demand for uplink bandwidth of Gigabit WLAN and HD digital surveillance. At the same time, compatible with a wide variety of Fiber modules, Wi-Tek unmanaged PoE Switch support maximum transmission distance up to 20km.

High PoE Power Budget

Complied with 802.3af/at standard, Wi-Tek unmanaged PoE Switch provide high PoE power output from 65W to 700W , which can well meet the use for high-power consumption.

Flexible Power Management

Adopting the intelligent chip control algorithm, Wi-Tek unmanaged PoE Switch can calculate the output power. And when the total power of powered devices exceed the PoE power budget, the lower priority will power off to avoid the overload of the switches, which prolong the life of the switches.

Reliable Protection Strategy

With abundant protection mechanisms such as 6KV lightning protection, PSE short-circuit protection, PoE overload protection, Wi-Tek unmanaged PoE Switch protect themselves from being damaged by the thunderstorm.

Specifications



Model	WI-PS105F	WI-PS110F	WI-PS128GF	WI-PS150GF
Hardware Features				
Interfaces				
Downlink Port	4 x 10/100Mbps PoE Ports	8 x 10/100Mbps PoE Ports	24 x 10/100Mbps PoE Ports	48 x 10/100Mbps PoE Ports
Uplink Port	1x 1000Mbps SC Fiber	1 x 1000Mbps Combo port	4 x 1000Mbps Combo ports	2 x 1000Mbps Combo ports
PoE				
PoE Port	Port 1–4: 802.3af/at	Port 1–8: 802.3af/at	Port 1–24: 802.3af/at	Port 1–48: 802.3af/at
PoE Standard	802.3af/at compliant PoE			
PoE Power Supply Type	End-span			
PoE Pin Assignment	1/2(+), 3/6(-)			
PoE Power	30W max for each port, 65W Max. (PoE power budget)	30W max for each port, 150W Max. (PoE power budget)	30W max for each port, 350W Max. (PoE power budget)	30W max for each port, 700W Max. (PoE power budget)
Switch Property				
Standards and Protocols	IEEE802.3, IEEE802.3u, IEEE802.3ab, IEEE802.3z, IEEE802.3af, IEEE802.3at			
Forwarding Mode	Store and Forward			
Switching Capacity	2.8 Gbps	3.6 Gbps	12.8 Gbps	13.6 Gbps
Packet Forwarding Rate	2.02 Mpps	2.68 Mpps	9.52 Mpps	10.12 Mpps
MAC Address Table	2 k	4k	8k	16k



Model	WI-PS105F	WI-PS110F	WI-PS128GF	WI-PS150GF
Packet Buffer Memory	768KB	2.5MB	4.1MB	4.1MB
Jumbo Frame	10 kB			
Power Supply				
Input Power	AC 100–240V 50/60 Hz			
Power Consumption	Idle: 2W 100% Traffic Rate with PoE: 67W	Idle: 2W 100% Traffic Rate with PoE: 152W	Idle: 13W 100% Traffic Rate with PoE: 363W	Idle: 15W 100% Traffic Rate with PoE: 715W
Physical Characteristics				
LED Indicators	<p>PoE: Solid on: Equipment connected, normal power supply Off: Port not for terminal equipment power supply</p> <p>LNK/ACT: Solid on: Port connected Blinking: Data transmission Off: Port disconnected</p> <p>PWR: Solid on: The device power on is normal Off: The device is power off or failed</p>			
Buttons	N/A	<p>DIP Switch: Default: The transmission distance of PoE ports can be up to 100m with 100Mbps. VLAN: All downlink poets are isolated from each other, but can communicate with uplink ports. Extend: The transmission distance of PoE port can be up to 250m, but the rate is limited to 10Mbps.</p>	N/A	N/A
Fan Quantity	Fanless		2 Fans	2 Fans
Product Dimensions (W*D*H)	189*136*35mm	211*156*35mm	447*296*46mm	447*296*46mm
Package Dimensions (W*D*H)	275*220*70mm	275*220*70mm	520*380*100mm	520*380*100mm

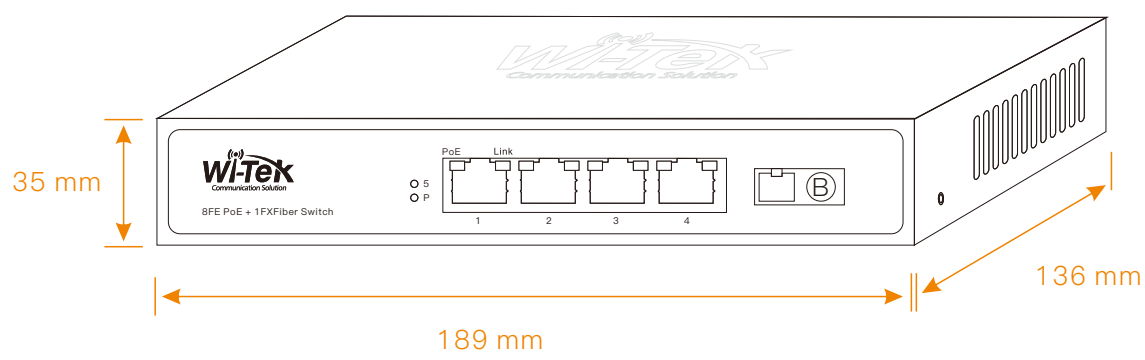


Model	WI-PS105F	WI-PS110F	WI-PS128GF	WI-PS150GF
Weight	Net Weight: 0.6kg	Net Weight: 0.77kg	Net Weight: 3.4kg	Net Weight: 4.26kg
	Package Weight: 1.02kg	Package Weight: 1.18kg	Package Weight: 4.3kg	Package Weight: 5kg
Installation	Wall-Mounted		Rack-Mounted	
Environmental				
Reliability	Surge Immunity	Common mode: 6kV Differential mode: 2kV		
	ESD Protection	Contact discharge: 6kV Air discharge: 8kV		
Operating Temperature	-10°C ~ 55°C (14°F ~ 131°F)			
Storage Temperature	-40°C ~ 70°C (-40°F ~ 158°F)			
Operating Humidity	10-90% RH non-condensing			
Storage Humidity	5-90% RH non-condensing			
Certification				
Certification	CE, FCC, RoHS, UKCA, RCM			

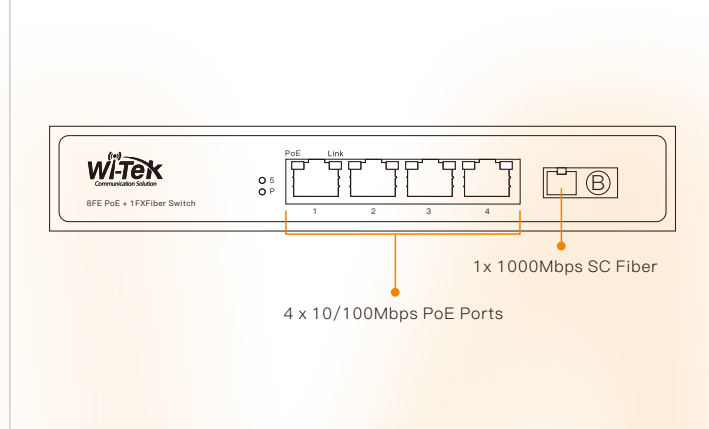
Appearances and Dimensions

WI-PS105F

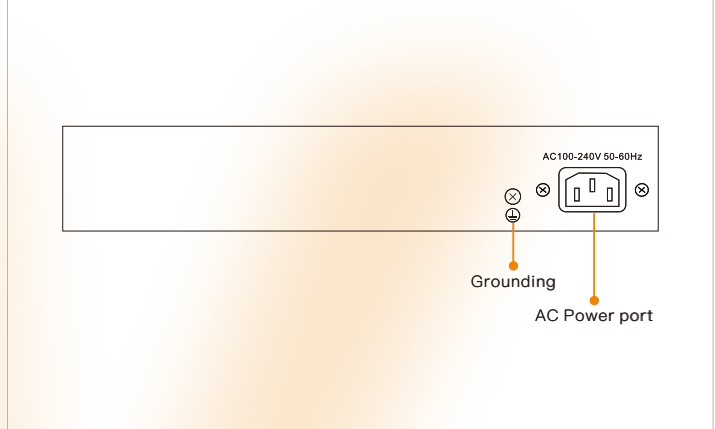
Dimensions (mm)



Front Panel

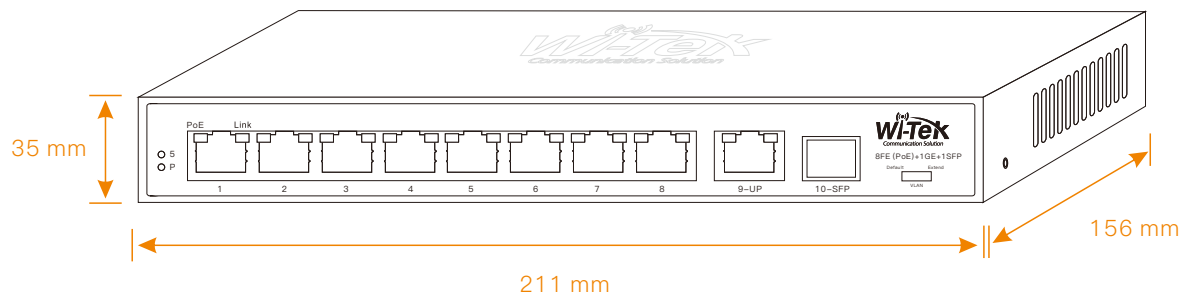


Side Panel

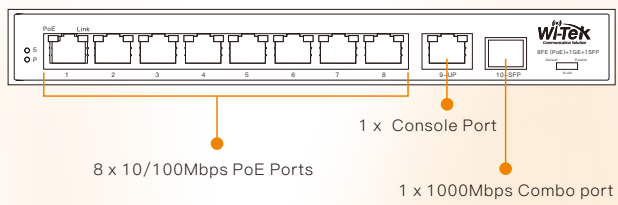


WI-PS110F

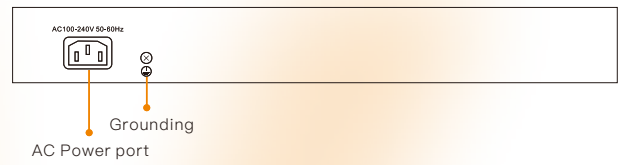
Dimensions (mm)



Front Panel

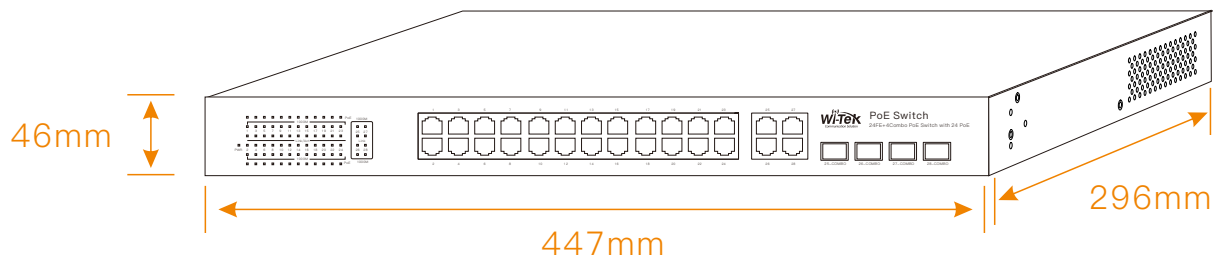


Rear Panel

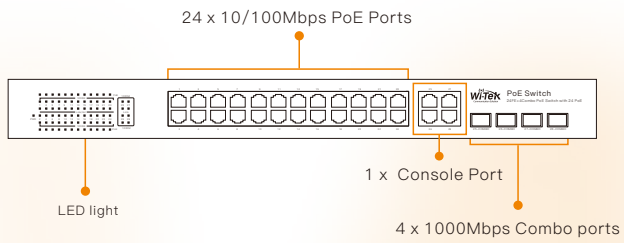


WI-PS128GF

Dimensions (mm)



Front Panel

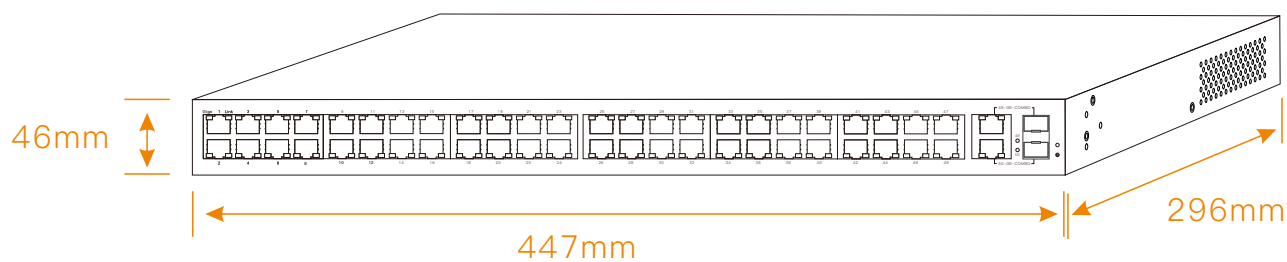


Rear Panel

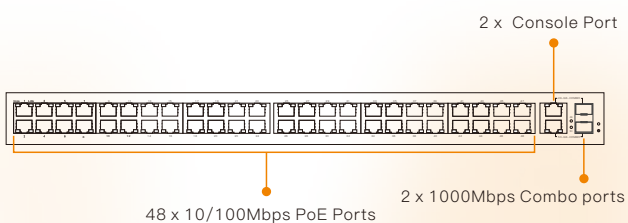


WI-PS150GF

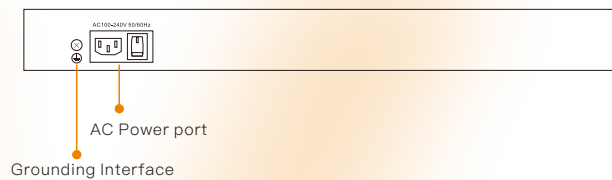
Dimensions (mm)



Front Panel



Rear Panel



Package Contents

Welcome to order our products. After purchasing, you will receive:

(For WI-PS105F, WI-PS110F)

Items	Quantity
Unmanaged Fiber Switch	1 pcs
Wall-Mounted bracket	2 pcs
Screw	4 pcs
Power Cord	1 pcs
Quick Installation Guide	1 pcs

(For WI-PS128GF, WI-PS150GF)

Items	Quantity
Unmanaged Fiber Switch	1 pcs
Rack-Mounted bracket	2 pcs
Screw	6 pcs
Power Cord	1 pcs
Quick Installation Guide	1 pcs



Wireless-Tek Technology Limited

Address: Biaofan Technology Building 402, Bao'an street,
Baoan District, Shenzhen City, Guangdong, China

Website: www.wireless-tek.com

Tel: 86-0755-32811290

Email: sales@wireless-tek.com

Technical Support: tech@wireless-tek.com



Technical Support



Cloud Management



Company Website