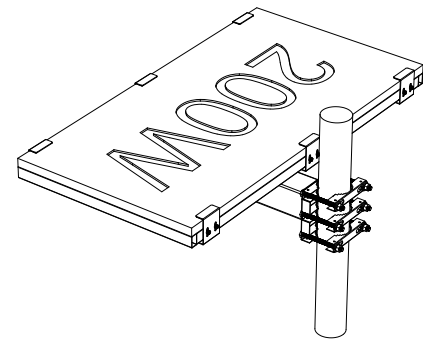


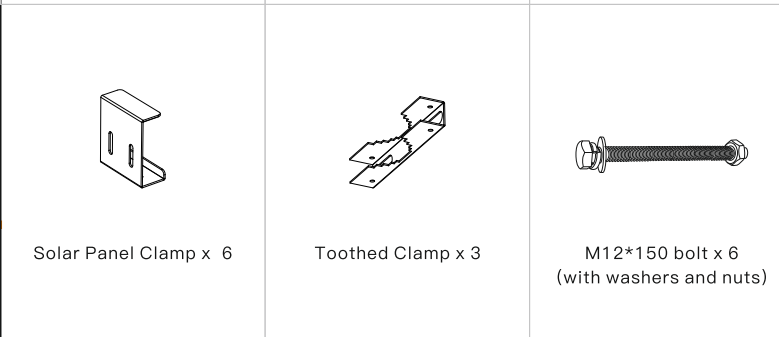
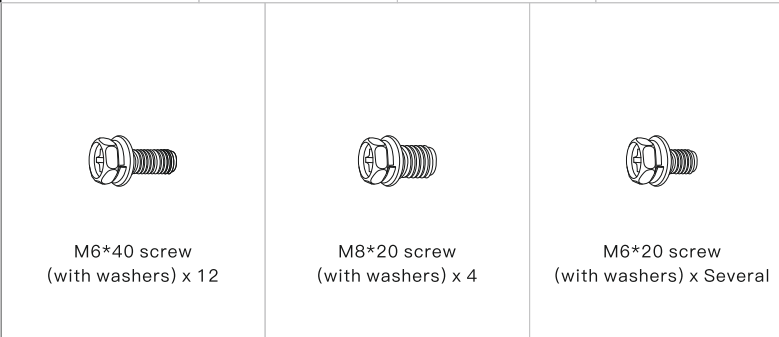
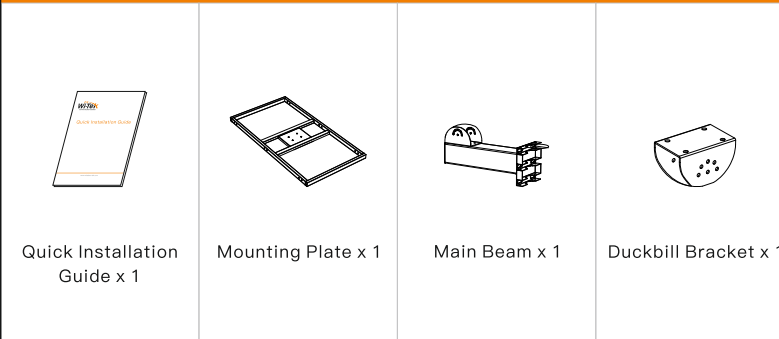
Quick Installation Guide

Solar Panel Mounting Bracket



WI-BRKP137

1. Packing Content

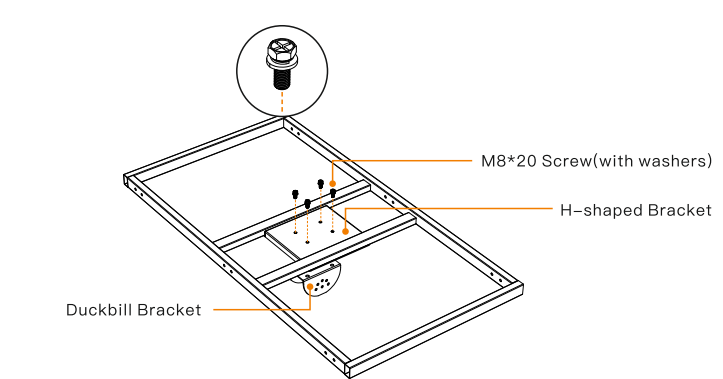


2. Precautions

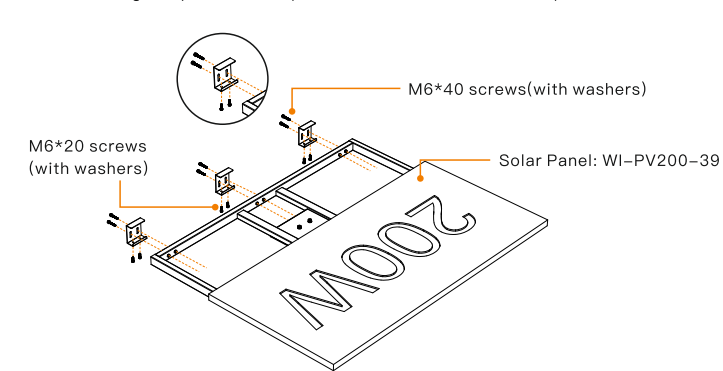
- 1. WI-BRKP137 is only suitable for Wi-Tek's 200W solar panel: WI-PV200-39(1480*670*30mm).
- 2. It is recommended that more than 2 people cooperate to install.
- 3. Place the center of gravity of the solar panel in the center of the H-shaped bracket.
- 4. Please wear a protective helmet and gloves before installation.
- 5. To ensure the stability of the structure, when installing the screws, please make sure to use washers and ensure that the screws are properly installed.
- 6. Before proceeding with the installation, carefully read the use and maintenance manual available on the website: <https://www.microteksrl.it/it/prodotti-wi-tek/>

3. Installation

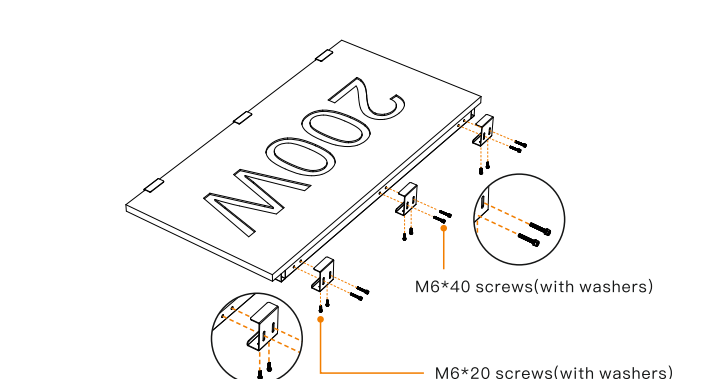
- **Step 1:**
Using M8*20 screws to install the center of the H-shaped Bracket to the Duckbill Bracket.



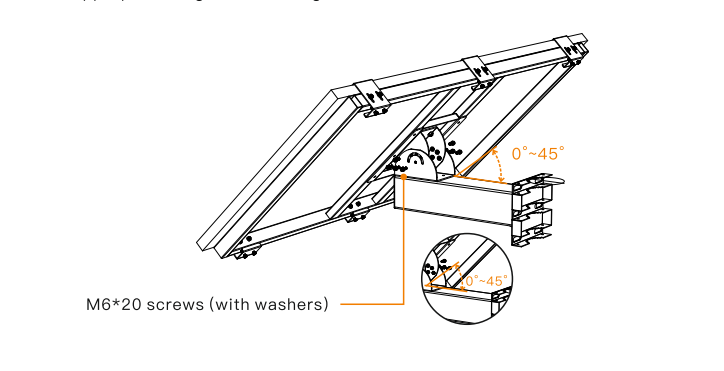
- **Step 2:**
Using M6*40 screws and M6*20 screws to install the Solar Panel Clamp, and Place the center of gravity of the solar panel in the center of the H-shaped bracket.



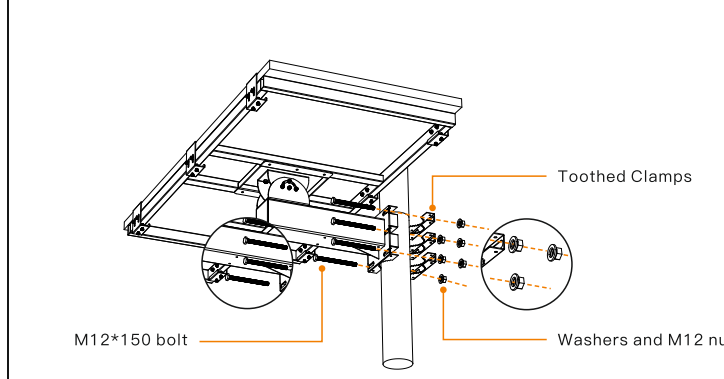
- **Step 3:**
Using M6*40 screws and M6*20 screws to install the Solar Panel Clamp on the other side. Finally, tighten all the screws.



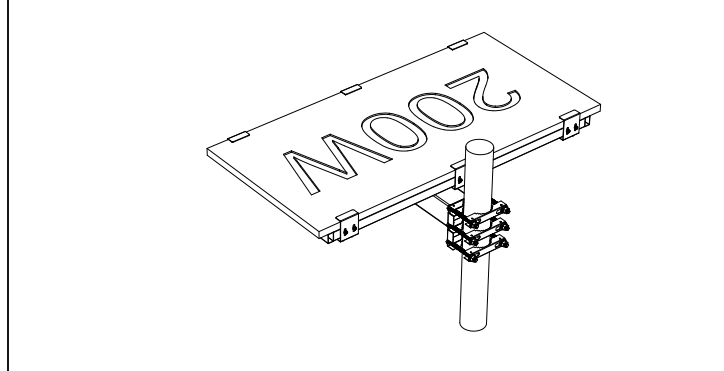
- **Step 4:**
Using M6*20 screws to install the Duckbill Bracket at the alignment holes, and adjust to the appropriate angle and then tighten the screws.



- **Step 5:**
Using M12*150 bolts (with washers and nuts) and Toothed Clamps to firmly fix the bracket to the round or square rod.



- **Step 6:**
Final installation result.



Warranty Card

Username	
Address	
Telephone No.	
Purchase Shop	
Purchase Address	
Product Model No.	
Purchase Time	
Serial No.	
Dealer Signature	

- If the product defects within the warranty period, we will provide professional maintenance service.
- Proof of purchase and a complete product serial number are required to receive any services guaranteed as part of the limited warranty.
- Any other defects that are not caused by workmanship or product quality, such as natural disasters, water damage, extreme thermal or environmental conditions, sticker damaged, warranty card loss will disqualify the product from limited warranty.



Wireless-Tek Technology Limited
 Address: Building 3, Units 1801-1807, 1812, Huaqiang Era Plaza, Tangwei Community, Fuhai Street, Bao'an District, Shenzhen City, Guangdong Province, China.
 Website: www.wireless-tek.com
 Tel: 86-0755-32811290
 Email: sales@wireless-tek.com
 Technical Support: tech@wireless-tek.com

