

Solar Panel Mounting Bracket



WI-BRKP137

Note: Only compatible with Wi-Tek's 200W High-efficiency Solar Panel: WI-PV200-39

Overview

Wi-Tek solar panel mounting bracket designed for the small-medium pole-mounted solar power application, It adopts a modular installation design, suitable for 76~105mm round poles, can also be compatible with 50~80mm square poles, can perfectly adapt to our 200W solar panel: WI-PV200-39(1480*670*30mm), and the large Angle can be flexibly adjusted to meet the installation needs of different regions. Made with heavy galvanized steel and 304 stainless steel, it is baking varnish, anti-ultraviolet, resists corrosion, and is designed for durability in harsh environments.

Features

Rugged construction

A heavy galvanized steel body and 304 stainless steel can withstand huge wind (up to 33 m/s) load and snow load.

Advanced Outdoor Protection

Galvanized steel with baking varnish surface treatment can be anti-aging, gas corrosion resistant, UV damage resistant, acid and alkali corrosion resistant, and salt spray moisture resistant.

Strengthening of key connecting components

The key connection components are made of 304 stainless steel with M8 stainless steel screws, significantly enhancing structural strength, stability, and corrosion resistance.

Specifications

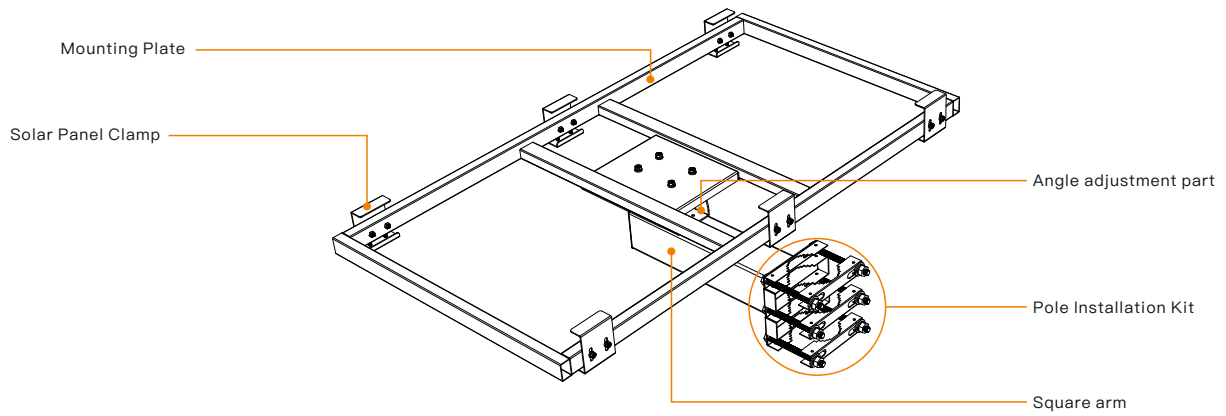


Products	WI-BRKP137
Solar Panel Installation	
Compatible Solar Panel Model	WI-PV200-39
Size of Solar Panel	1480*670*30mm
Adjustable Angle	0~45°
Solar Panel Weight	9.9 kg
Installation Pole	76mm~105mm round pole mounted, 50mm~80mm square pole mounted
Mechanical Property	
Material	SGCC and SUS 304
Color	White
Dimensions	Square arm: 100*100*433mm Angle adjustment part: 150*100*92mm Mounting Plate: 1250*670*40mm Pole installation kit: 174*123*180mm
Weight	17kg
Package Dimensions	Large box: 130*70*6.5cm Small box: 48*19*22cm
Package Weight	19.4kg

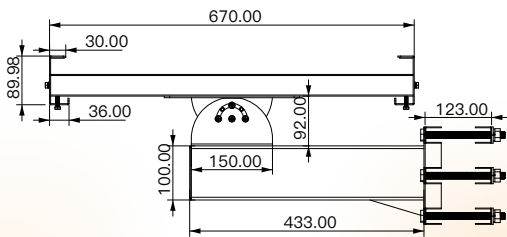
Appearances and Dimensions

WI-BRKP137

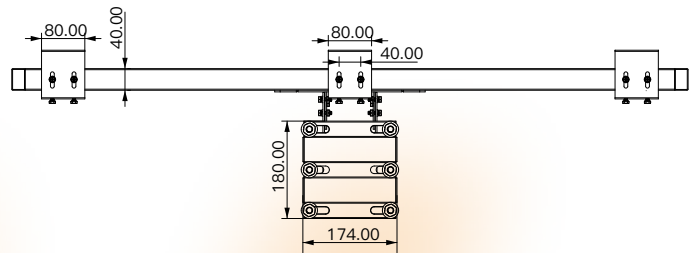
Appearances



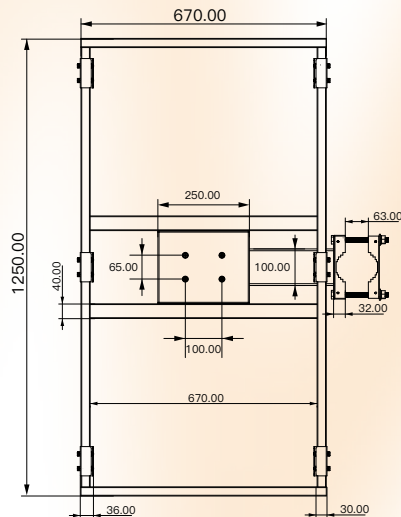
Side Dimensions(mm)



Rear Dimensions(mm)



Top Dimensions(mm)



Package Contents

Welcome to order our products. After purchasing, you will receive:

Items	Quantity
Solar Panel Mounting Bracket	1 pcs



Wireless-Tek Technology Limited
 Address: Building 3, Units 1801-1807, 1812, Huaqiang Era Plaza, Tangwei Community, Fuhai Street, Bao'an District, Shenzhen City, Guangdong Province, China.
 Website: www.wireless-tek.com
 Tel: 86-0755-32811290
 Email: sales@wireless-tek.com
 Technical Support: tech@wireless-tek.com



Technical Support



Cloud Management



Company Website