

# Industrial Easy Smart Managed PoE Switch

SP3006FM | SP3010FM Thailand Project Version



## Overview

Wi-Tek Superic industrial easy smart managed PoE switch provides 4/8 10/100/1000 Base-T ports and 2 1000/2500 Base-X SFP uplink ports. All RJ-45 ports comply with 802.3af/at PoE (PoE+) standard and output up to 30W PoE power per port.

This series switch supports easy smart Layer 2 management functions, such as VLAN, port mirroring, STP, RSTP, IGMP, QoS, LLDP, 802.1X, fiber transceiver DDM, PoE management, G.8032 ERPS protocol, IPV6 management, Web, SNMP, Telnet, TFTP, etc.

Professional design provides a flexible, easy-to-use, and reliable industrial network solution. Redundant power design with polarity reverse/over-voltage/over-current protection guarantees a safe power supply. Solid shell, wide operation temperature from  $-40^{\circ}\text{C}$  to  $75^{\circ}\text{C}$ , and high-level EMI/EMC capability design ensure its stable and reliable operation even in harsh environments.

## Features

### Full Gigabit Interfaces Design

SP3006FM: 4 × 10/100/1000 Base-T PoE+ Ports and 2 × 1000 Base-X SFP ports

SP3010FM: 8 × 10/100/1000 Base-T PoE+ Ports and 2 × 1000/2500 Base-X SFP ports

### $-40\sim 75^{\circ}\text{C}$ Operating Temperature

$-40\sim 75^{\circ}\text{C}$  working temperature design, makes it meet the requirement of harsh application environment.

### High Level Protection Design

6kV surge immunity for power and 4kV surge immunity for Ethernet ports, 15kV air discharge and 8kV contact discharge ESD protection, makes it an ideal choice for outdoor application scenario.

### Easy Smart L2 Managed Functions

Support easy smart L2 management functions, such as VLAN, port mirroring, STP, RSTP, IGMP, QoS, LLDP, 802.1X, fiber transceiver DDM, PoE management, G.8032 ERPS protocol, can meet the requirement of simple industrial project.

### Redundant DC Power Input Design

Support redundant 44–57V DC power input, and provide reliable alternative power access solutions.

# Specifications



| Model                   | SP3006FM  | SP3010FM  |
|-------------------------|---|---|
| Hardware Features       |   |   |
| Interfaces              |   |   |
| Downlink Ports          | 4 x 100/1000Mbps RJ45 ports   | 8 x 100/1000Mbps RJ45 ports                           |
| Uplink Ports            | 2 x 1000Mbps SFP ports  | 2 x 1000/2500Mbps SFP ports                           |
| Management Port         | 1 x console port  |   |
| Performance             |   |   |
| Memory and Flash        | 128MB DRAM, 128MB Flash   |   |
| PoE                     |   |   |
| PoE Port                | Port 1–4  | Port 1–8  |
| PoE Standard            | 802.3af/at  |   |
| PoE Power Supply Type   | End-span  |   |
| PoE Pin Assignment      | 1/2(+), 3/6(-)  |   |
| PoE Power               | 30 W max for each port, 120 W Max. (PoE power budget)   | 30 W max for each port, 240 W Max. (PoE power budget) |
| Switch Property         |   |   |
| Standards and Protocols | IEEE 802.3 10Base-T<br>IEEE 802.3u 100Base-TX<br>IEEE 802.3ab 1000Base-T<br>IEEE 802.3z 1000Base-X<br>IEEE 802.3x flow control and back pressure<br>IEEE 802.1D spanning tree protocol<br>IEEE 802.1w rapid spanning tree protocol<br>IEEE 802.1Q VLAN tagging<br>ITU-T G.8032 ERPS<br>IEEE 802.1X port authentication network control<br>IEEE 802.1ab LLDP<br>IEEE 802.3ad LACP<br>IEEE802.3af Power Over Ethernet<br>IEEE802.3at Power Over Ethernet plus PSE |   |
| Forwarding Mode         | Store and Forward   |   |
| Switching Capacity      | 12 Gbps   | 26 Gbps   |
| Packet Forwarding Rate  | 8.9 Mpps  | 19.34 Mpps  |



| Model                    | SP3006FM  | SP3010FM   |
|--------------------------|---|--|
| MAC Address Table        | 16 k  |  |
| Packet Buffer Memory     | 2 Mbit  |  |
| Jumbo Frame              | 10 kB   |  |
| Power Supply             |   |  |
| Input Power              | Power 1 (Main): 44–57V DC, Power 2 (Backup): 44–57V DC  |  |
| Power Consumption        | Idle: 6 W<br>100% Traffic Rate with PoE: 126 W  | Idle: 10 W<br>100% Traffic Rate with PoE: 250 W  |
| Physical Characteristics |   |  |
| LED Indicators           | <p><b>P</b><br/>Off: the device is power off or failed<br/>Green On: the device power on is normal</p> <p><b>S</b><br/>Blinking: device initialization<br/>On: device on and normal operation</p> <p><b>Link</b><br/>Off: ports link down<br/>On: ports link up<br/>Blinking: data on TX/RX</p> <p><b>PoE</b><br/>Off: PoE not working<br/>On: PoE working</p> <p><b>5, 6(Fiber ports indicators )</b><br/>Off: ports link down<br/>Green On: ports link up<br/>Green Blinking: data on TX/RX</p> | <p><b>P</b><br/>Off: the device is power off or failed<br/>Green On: the device power on is normal</p> <p><b>S</b><br/>Blinking: device initialization<br/>On: device on and normal operation</p> <p><b>Link</b><br/>Off: ports link down<br/>On: ports link up<br/>Blinking: data on TX/RX</p> <p><b>PoE</b><br/>Off: PoE not working<br/>On: PoE working</p> <p><b>9, 10(Fiber ports indicators )</b><br/>Off: ports link down<br/>Green On: ports link up<br/>Green Blinking: data on TX/RX</p> |
| Fan Quantity             | Fanless   |  |
| Switch Dimensions        | 148*107*28 mm   | 148*107*47 mm  |
| Package Dimensions       | 188*153*73 mm   |  |
| Weight                   | Net Weight: 0.58 kg<br>Package Weight: 0.72 kg  | Net Weight: 0.72 kg<br>Package Weight: 0.84 kg   |
| Installation             | Desktop, DIN–rail   |  |



| Model                            | SP3006FM   | SP3010FM |
|----------------------------------|--|----------|
| Environmental                    |  |          |
| Surge Immunity of Ethernet ports | IEC 61000-4-5<br>Common mode 6kV<br>Differential mode 2kV    |          |
| Surge Immunity of Power          | IEC 61000-4-5<br>Common mode 4kV<br>Differential mode 2kV    |          |
| ESD Protection                   | IEC 61000-4-2<br>Contact discharge 8kV<br>Air discharge 15kV |          |
| Operating Temperature            | -40°C ~ 75°C(-40°F to 167°F)                                 |          |
| Storage Temperature              | -40°C to 85°C(-40°F to 185°F)                                |          |
| Operating Humidity               | 5% ~ 90% (Non-condensation)                                  |          |
| Storage Humidity                 | 5% ~ 95% (Non-condensation)                                  |          |
| Certification                    |  |          |
| Certification                    | CE, FCC, RoHS, UKCA, RCM                                     |          |



| Model                 | SP3006FM   | SP3010FM |
|-----------------------|--|----------|
| Software Feature      |  |          |
| Port aggregation      | Support static aggregation   |          |
|                       | Support dynamic aggregation  |          |
|                       | Up to 12 aggregation groups and up to 8 ports per group            |          |
| Port features         | Support IEEE802.3x flow control                                    |          |
|                       | Support port traffic statistics                                    |          |
|                       | Support port isolation   |          |
|                       | Support Broadcast Storm (Broadcast; Multicast; Unicast)            |          |
|                       | Support Port mirroring (One-to-One; Many-to-One)                   |          |
| VLAN                  | Support Port-based VLAN  |          |
| Ring network protocol | Support IEEE 802.1D-STP  |          |
|                       | Support IEEE 802.1W -RSTP  |          |
|                       | Support BPDU Guard   |          |
|                       | Support BPDU Filter  |          |
|                       | Support G.8032 ERPS protocol                                       |          |
| DHCP                  | Support DHCP Client  |          |
| L2 Multicast          | IGMP snooping  |          |
| QoS                   | 8 priority queues  |          |
|                       | 802.1p CoS/DSCP priority   |          |
|                       | Queue scheduling (SP (Strict Priority); WRR(Weighted Round Robin)) |          |

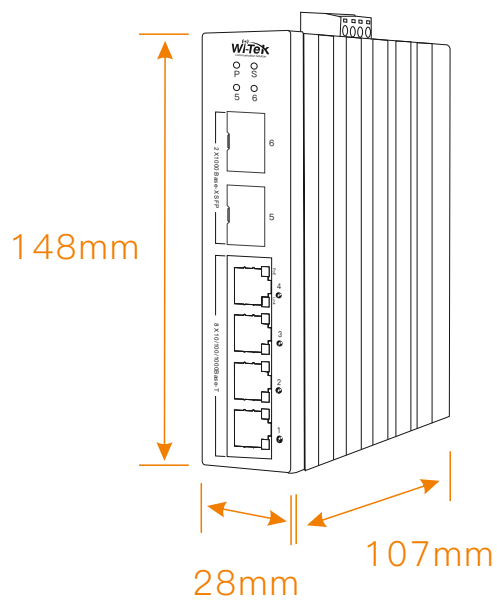


| Model                      | SP3006FM   | SP3010FM |
|----------------------------|--|----------|
| MAC-Address                | Static mac-address management                                |          |
|                            | Filtering mac-address  |          |
| Security                   | Support RADIUS service                                       |          |
|                            | Support Dot1x  |          |
|                            | Support MAC authentication                                   |          |
| IPv6                       | DHCP IPv6 Client   |          |
|                            | Ping IPV6  |          |
|                            | Tracert IPV6   |          |
|                            | Telnet IPv6  |          |
|                            | SSH IPv6   |          |
|                            | Http IPv6  |          |
|                            | Dual IPv4/IPv6   |          |
| Management and maintenance | Web-based GUI  |          |
|                            | Command Line Interface(CLI) through the console port, telnet |          |
|                            | Support LLDP   |          |
|                            | Support SNMPV1/V2C/V3  |          |
|                            | Support Syslog   |          |
|                            | Support NTP  |          |
|                            | Support Ping, TRACERT  |          |
|                            | Support optical transceiver DDM function                     |          |
|                            | Support web Firmware Upgrade                                 |          |
|                            | Configuration Export/import                                  |          |
|                            | Support IPv6 Management                                      |          |
| Support PoE management     |  |          |

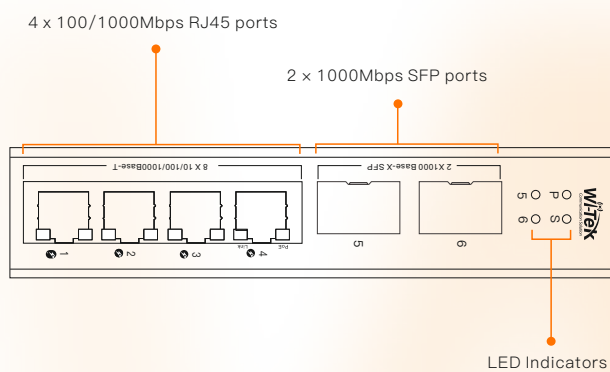
# Appearances and Dimensions

SP3006FM

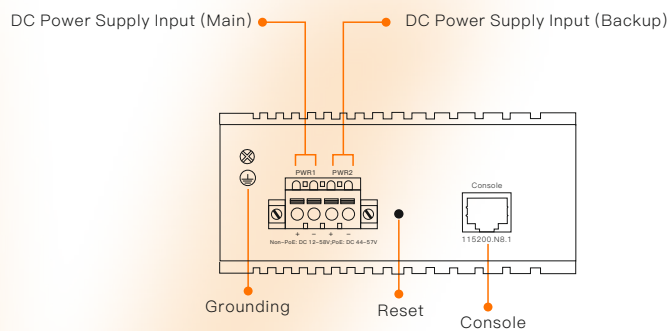
Dimensions (mm)



Front Panel

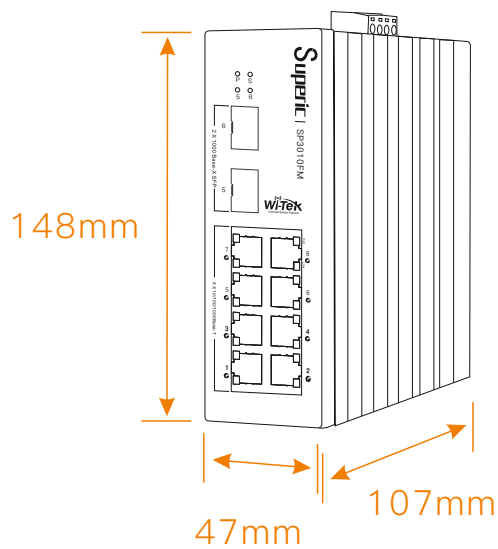


Side Panel



SP3010FM

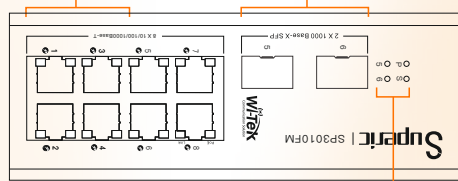
Dimensions (mm)



Front Panel

8 x 100/1000Mbps RJ45 ports

2 x 1000/2500Mbps SFP ports

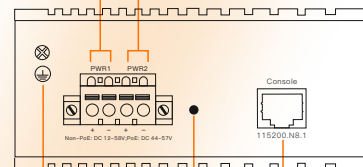


LED Indicators

Side Panel

DC Power Supply Input (Main)

DC Power Supply Input (Backup)



Grounding

Reset

Console

# Package Contents

Welcome to order our products. After purchasing, you will receive:

| Items                    | Quantity |
|--------------------------|----------|
| Switch                   | 1 pcs    |
| Quick Installation Guide | 1 pcs    |



Wireless-Tek Technology Limited  
 Address: Building 3, Units 1801-1807, 1812, Huaqiang Era Plaza, Tangwei Community, Fuhai Street, Bao'an District, Shenzhen City, Guangdong Province, China.  
 Website: [www.wireless-tek.com](http://www.wireless-tek.com)  
 Tel: 86-0755-32811290  
 Email: [sales@wireless-tek.com](mailto:sales@wireless-tek.com)  
 Technical Support: [tech@wireless-tek.com](mailto:tech@wireless-tek.com)



Technical Support



Cloud Management



Company Website