

Industrial L2+ Managed PoE Switch



SP3006FM-L2 (V3)| SP3010FM-L2 (V3)|

SP3012FM-L2 (V3)| SP5012FM-L2 (V2) **Thailand Project Version**

New Upgrade: Upgrade support DI/Relay config, Serial server for Smart industrial application !

Overview

The Wi-Tek Superic series switch is a high-performance industrial L2+ managed PoE switch designed to meet the most demanding networking requirements across various industries. Featuring 4/8 Gigabit PoE RJ45 ports, delivering up to 90W BT PoE port 1-2 and 2/4 2.5G/10Gbps SFP uplink ports, the switch ensures high-speed connectivity for bandwidth-intensive applications. Its advanced Layer 2+ management function such as 802.1Q VLAN, QinQ, STP/RSTP/MSTP, and G.8032 ERPS for network redundancy and recovery, making it ideal for mission-critical operations.

In addition, the device supports temperature and humidity detection, relay and other functions, which can significantly improve network reliability, security and management efficiency, and is suitable for various scenarios such as campus network, industrial environments and intelligent buildings. Built to withstand harsh conditions, the Wi-Tek Superic switch operates reliably in temperatures ranging from -40°C to 75°C and features a ruggedized design with redundant power inputs (including reverse polarity and over-voltage/current protection). Its high EMI/EMC resistance ensures stable performance in electrically noisy environments such as factories, transportation systems, and outdoor installations.

With support for advanced networking protocols (IGMP snooping, QoS, IPv6) and security features (ACL, 802.1X, LLDP), this switch is perfectly suited for CCTV surveillance, factory automation, and smart city infrastructure.

The ideal choice for industrial networks where performance, redundancy, and remote management are paramount.

Features

-40~75°C Operating Temperature

-40~75°C working temperature design, makes it meet the requirement of harsh application environment.

High Level Protection Design

6kV surge immunity for power and Ethernet ports, 15kV air discharge and 8kV contact discharge ESD protection, makes it an ideal choice for outdoor application scenario.

Robust L2+ Managed Functions

Support robust L2+ management functions, such as 802.1Q VLAN, VLAN classification, QinQ, port mirroring, STP, RSTP, MSTP, IGMP, QoS, DHCP, static route, multicast, ACL, dying gasp, LLDP, 802.1X, fiber transceiver DDM, PoE management, G.8032 ERPS protocol, IPV6 management can meet the requirement of simple industrial project.

Redundant DC Power Input Design

Support redundant 44–57V DC power input, provide reliable alternative power access solutions.

Smarter, Reliable, and Responsive Localized Linkage Control

This switch integrates Digital IN, Relay, and temperature/humidity detection functionalities, providing a comprehensive solution for device status and environmental monitoring. Through Digital IN, the switch can receive external digital signals and trigger predefined operations; through Relay, it can output control signals to drive external devices (such as alarms or indicators), enabling precise device linkage control. The temperature and humidity detection feature monitors environmental conditions in real-time, ensuring optimal operating conditions for equipment. These functionalities significantly enhance the system's anti-interference capability and reliability, making it suitable for industrial automation, data centers, security monitoring, and other scenarios, helping to build intelligent and highly reliable network infrastructure.

Flexible Mounting, Anywhere Deployment

Supports both wall-mount and DIN-rail installations for maximum adaptability in any environment, saving time and labor with flexible mounting options.

Specifications



Model	SP3006FM-L2	SP3010FM-L2	SP3012FM-L2	SP5012FM-L2
Hardware Version	V3	V3	V3	V2
Interfaces				
Downlink Ports	4 x 10/100/1000Mbps RJ45 ports	8 x 10/100/1000Mbps RJ45 ports	8 x 10/100/1000Mbps RJ45 ports	8 x 10/100/1000Mbps RJ45 ports
Uplink Ports	2 x 1000M/2.5Gbps SFP ports	2 x 1000M/2.5Gbps SFP ports	4 x 1000M/2.5Gbps SFP ports	4 x 1000M/2.5G/10Gbps SFP ports
Management Port	1 x Console Port			
PoE				
PoE Port	Port 1–4	Port 1–8		
PoE Standard	Port 1–2: 802.3af/at/bt Port 3–4: 802.3af/at	Port 1–2: 802.3af/at/bt Port 3–8: 802.3af/at		
PoE Pin Assignment	1/2(+), 3/6(-), 4/5(+), 7/8(-)			
PoE Power	90W Max. for port 1–2, 30W Max. for port 3–4 120W Max. (PoE power budget)	90W Max. for port 1–2, 30W Max. for port 3–8 240W Max. (PoE power budget)		
Performance				
Memory and Flash	Memory: 512MB Flash: 512MB			
Switch Property				
Forwarding Mode	Store and Forward			
Switching Capacity	18Gbps	26Gbps	36Gbps	96Gbps
Packet Forwarding Rate	13.4Mpps	19.3Mpps	26.8Mpps	71.4Mpps
MAC Address Table	16k			
Packet Buffer Memory	2Mbit		12Mbit	
Jumbo Frame	10kB			
Power Supply				
Input Power	Power 1 (Main): 44~57V DC Power 2 (Backup): 44~57V DC			
Power Consumption	Idle: 8W 100% Traffic Rate with PoE: 128W	Idle: 10W 100% Traffic Rate with PoE: 250W	Idle:15W 100% Traffic Rate with PoE: 255W	Idle:18W 100% Traffic Rate with PoE: 258W

Model	SP3006FM-L2	SP3010FM-L2	SP3012FM-L2	SP5012FM-L2
Physical Characteristics				
LED Indicators	<p>P Off: the device is power off or failed Green On: the device power on is normal</p> <p>S Off: device system initialization Blinking: The system is working properly</p> <p>Link Off: ports link down On: ports link up Blinking: data on TX/RX</p> <p>PoE Off: PoE not working On: PoE working Fiber ports indicators Off: ports link down Green On: ports link up Green Blinking: data on TX/RX</p>			
Fan Quantity	Fanless			
Switch Dimensions (W*D*H)	56*115*158 mm			
Package Dimensions	272*202*94 mm			
Weight	Net Weight: 1.15kg	Net Weight: 1.15kg	Net Weight: 1.18kg	Net Weight: 1.18kg
	Package Weight: 1.52kg	Package Weight: 1.52kg	Package Weight: 1.53kg	Package Weight: 1.53kg
Enclosure	IP40 metal case			
Installation	DIN-rail, Wall-mount, Desktop			

Model	SP3006FM-L2	SP3010FM-L2	SP3012FM-L2	SP5012FM-L2
Environmental				
Surge Immunity of Ethernet Port	IEC 61000-4-5 Common mode 6kV Differential mode 2kV			
Surge Immunity of Power	IEC 61000-4-5 Common mode 6kV Differential mode 4kV			
ESD Protection	IEC 61000-4-2 Contact discharge 8kV Air discharge 15kV			
Operating Environment	-40°C~75°C (-40°F to 167°F); 5%~90% (Non-condensation)			
Storage Environment	-40°C~85°C (-40°F to 185°F); 5%~95% (Non-condensation)			
Certification				
Certification	CE, FCC, RoHS, UKCA, RCM			

Model	SP3006FM-L2	SP3010FM-L2	SP3012FM-L2	SP5012FM-L2
Software Feature				
Port aggregation	Support 1GE port aggregation			
	Support 2.5GE aggregation(Only SP5012FM-L2 support 10GE aggregation)			
	Support static aggregation			
	Support LACP dynamic aggregation			
	Up to 64 aggregation groups and up to 8 ports per group			
Port features	Support IEEE802.3x flow control			
	Support port traffic statistics			
	Support Broadcast Storm (Broadcast; Unknown Multicast;Unknown Unicast)			
	Support Loop Detection (Port Based; VLAN Based)			
	Support Port mirroring (One-to-One; Many-to-One; Tx/Rx/Both)			
VLAN	Support Mac Based VLAN			
	Support IP Based VLAN			
	Support Protocol Based VLAN			
	Support GVRP (normal mode; fixed mode; forbidden mode)			
	Support QinQ (Port-based QinQ; VLAN-based QinQ; VLAN-based QinQ)			
Ring network protocol	Support IEEE 802.1D-STP			
	Support IEEE 802.1W -RSTP			
	Support IEEE 802.1S -MSTP			
	Support BPDU Guard			
	Support G.8032 ERPS protocol			
Routing protocol	Static routing			
DHCP	Support option-82			
	Support DHCP Client			
	Support DHCP Snooping			
L2 multicast	Support Group Address			
	Support IGMP snooping			

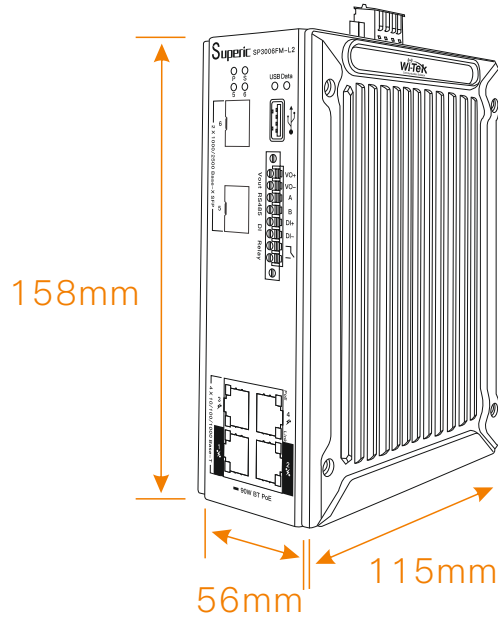
Model	SP3006FM-L2	SP3010FM-L2	SP3012FM-L2	SP5012FM-L2
ACL	Support IP Standard ACL			
	Support IP extend ACL			
	Support MAC extend ACL			
	Support L2, L3			
QoS	8 priority queues			
	802.1p CoS/DSCP priority			
	Queue scheduling (SP (Strict Priority); WRR(Weighted Round Robin)SP+WRR)			
	Rate Limit (Ingress /Egress Port; Egress Queue)			
mac-address	Static mac-address management			
	Dynamic mac-address management)			
	Filtering mac-address			
Security	Support RADIUS/TACACS+			
	Support Dot1x (port authentication, MAC authentication)			
	Support RADIUS authentication access switch (Telnet; SSH; HTTP; HTTPS)			
	Detect arp Message Filtering			
	Support IP Source Guard (Port-based IP/mac binding access)			
	Support port isolation			
IPV6	DHCP IPv6 Client			
	Ping IPV6			
	Tracert IPV6			
	Telnet IPv6			
	SNMP IPv6			
	SSH IPv6			
	Http IPv6			
	TFTP IPv6			
	Dual IPv4/IPv6			

Model	SP3006FM-L2	SP3010FM-L2	SP3012FM-L2	SP5012FM-L2
Management and maintenance	Support Syslog			
	Support RMON(1,2,3 &9)			
	Support NTP/SNTP(RFC2030)			
	Support Ping; TRACERT			
	Support optical transceiver DDM function			
	Support TFTP Client			
	Support TFTP, web upgrading			
	Configuration Export/import			
	Support IPv6 Management			
	Support PoE Management			
	Support relay Warning			
	Support Serial Server			

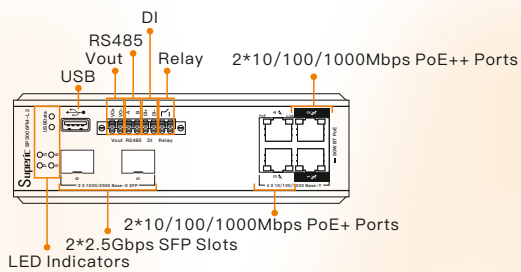
Appearances and Dimensions

SP3006FM-L2

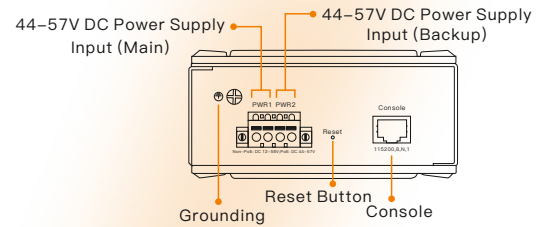
Dimensions (mm)



Front Panel

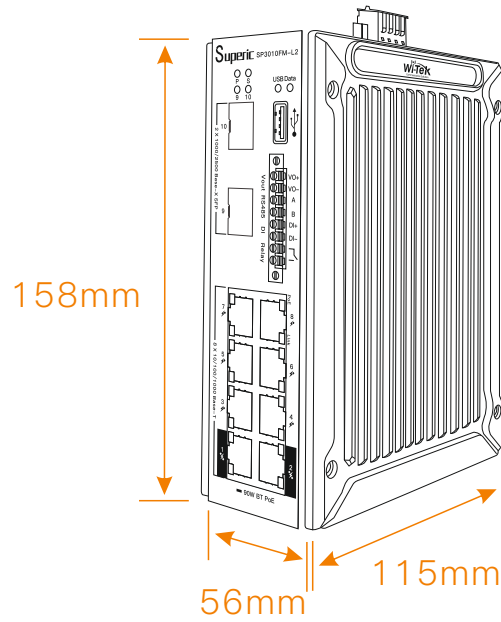


Side Panel

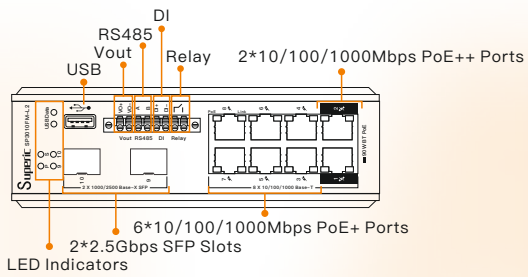


SP3010FM-L2

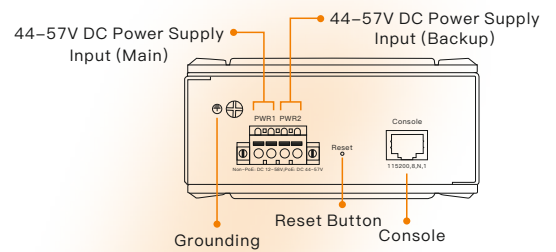
Dimensions (mm)



Front Panel

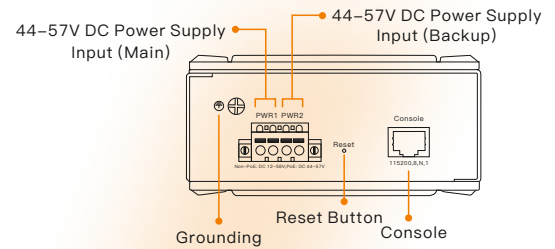
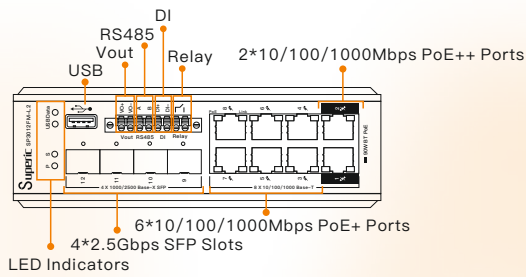
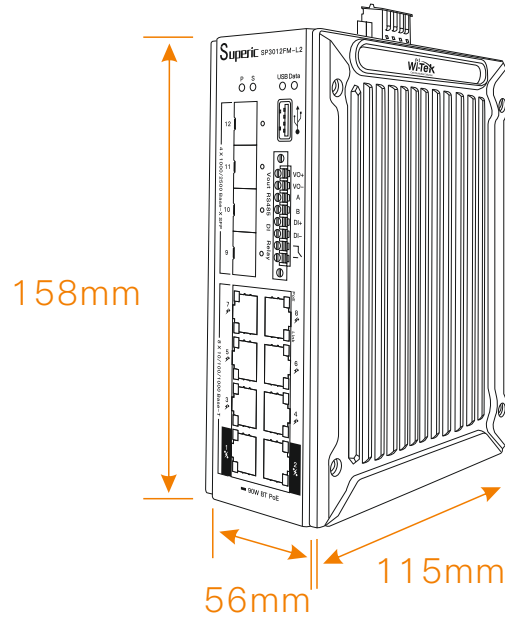


Side Panel



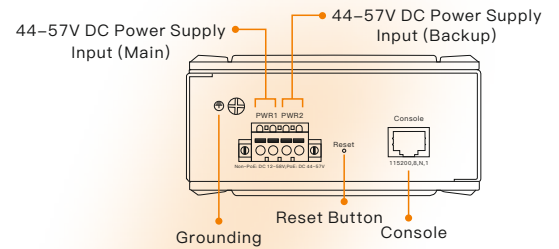
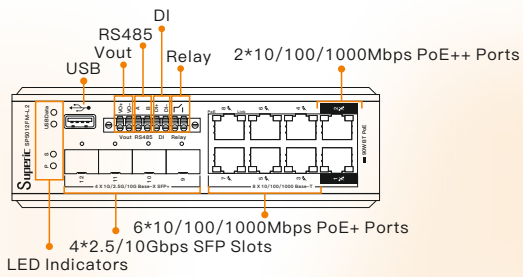
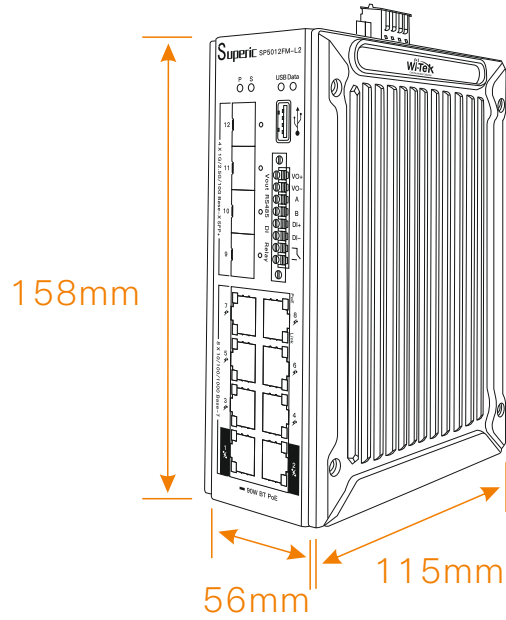
SP3012FM-L2

Dimensions (mm)



SP5212FM-L2

Dimensions (mm)



Package Contents

Welcome to order our products. After purchasing, you will receive:

Items	Quantity
Switch	1 pcs
Phoenix Terminal	2 pcs
Wall-mounted Ear Tip	1 pcs
Temperature/Humidity Sensor	1 pcs
Quick Installation Guide	1 pcs



Wireless-Tek Technology Limited

Address: Building 3, Units 1801-1807, 1812, Huaqiang Era Plaza, Tangwei Community, Fuhai Street, Bao'an District, Shenzhen City, Guangdong Province, China.

Website: www.wireless-tek.com

Tel: 86-0755-32811290

Email: sales@wireless-tek.com

Technical Support: tech@wireless-tek.com



Technical Support



Cloud Management



Company Website