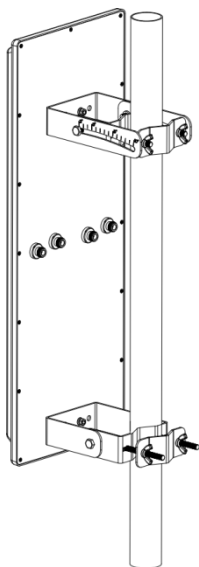


Quick Start Guide



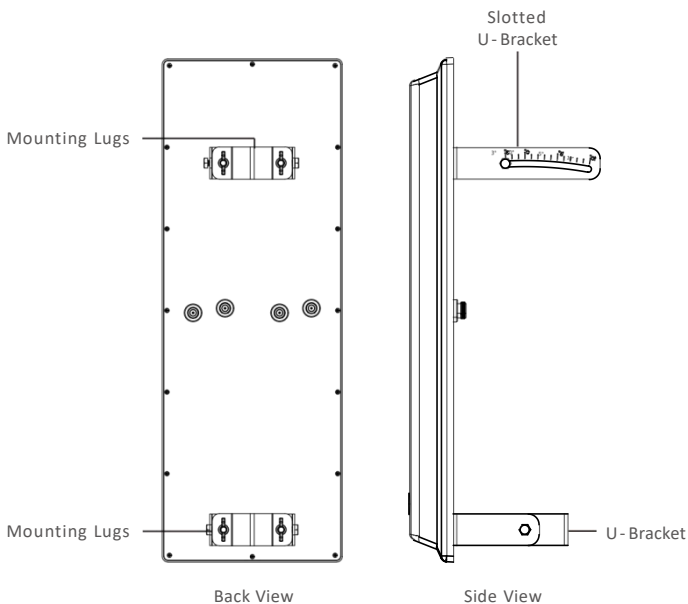
Package Contents

- Antenna×1
- U-Bracket×2
- Mounting kits×1
- RF Cables×4

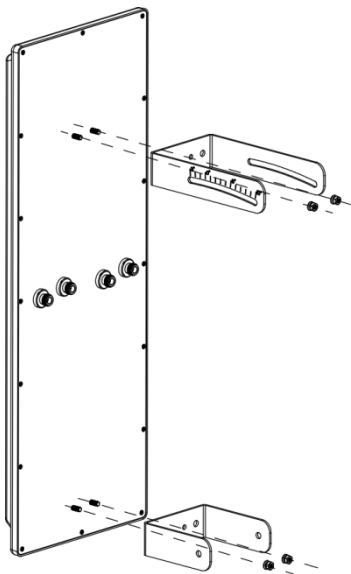
before use this equipment, please read this guide for installing equipment quickly.

Installation Requirements


- 13mm wrench
- Shielded Category 5 (or above) cabling should be used for all wired Ethernet Connections and should be grounded through the AC ground of the PoE. We recommend that you protect your networks from the most brutal environments and devastating ESD attacks with industrial grade shielded Ethernet cable.

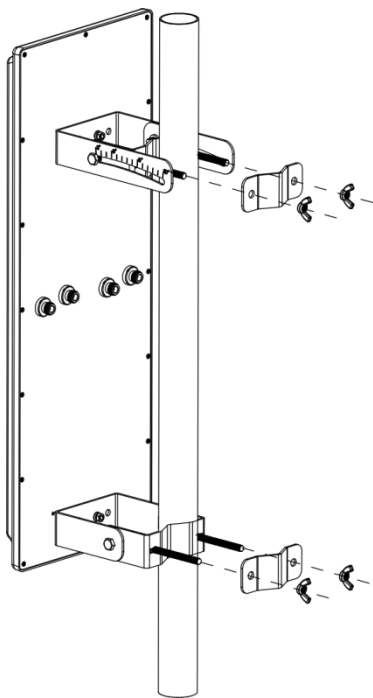


- ① Secure the Slotted U-Bracket to the upper Mounting Lugs of the antenna using two nuts.

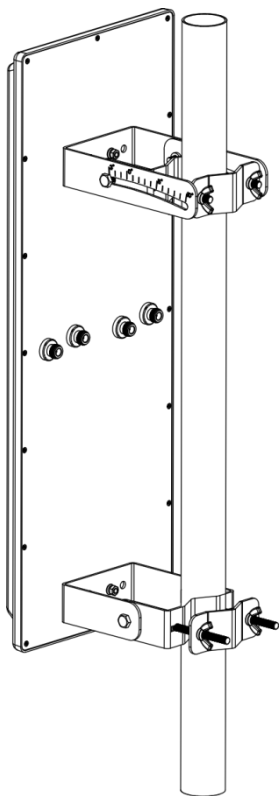


- ② Open the antenna small fixing clip, fix the two small fixing clips to the pole with the disc mother, and mount the antenna to the pole.

 Note: The mounting assembly can accommodate a \varnothing 30 - 70 mm pole.



③ Completed installation.



- ④ The antenna has an Mechanical downtilt of 4°. To further adjust the elevation angle:
- loosen four bolts on the U bracket and two butterfly nuts on the pole clamp.
 - Slide the antenna to the desired tilt.
- (The brackets may slide along the pole, depending on the angle of the elevation tilt)
- Tighten all bolts and nuts to approximately 25 N-m.

