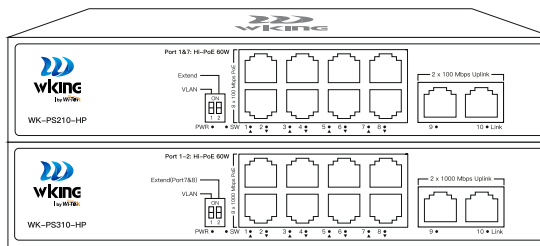




Quick Installation Guide

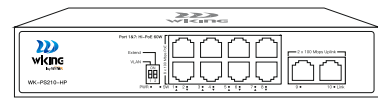
100/1000Mbps PoE Switch



WK-PS210-HP | WK-PS310-HP

www.wireless-tek.com

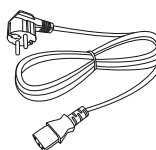
1. Package Contents



Switch x 1



Quick Installation Guide x 1

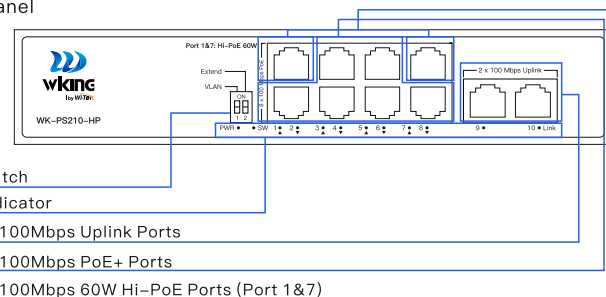


Power Cord x 1

2. Appearance Overview

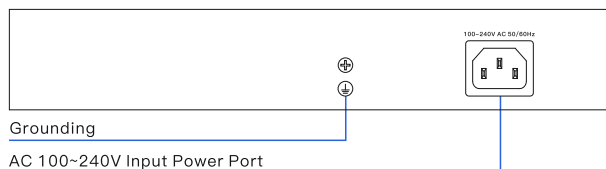
For WK-PS210-HP

• Front Panel



- DIP Switch
- LED Indicator
- 2 * 10/100Mbps Uplink Ports
- 6 * 10/100Mbps PoE+ Ports
- 2 * 10/100Mbps 60W Hi-PoE Ports (Port 1&7)

• Back Panel

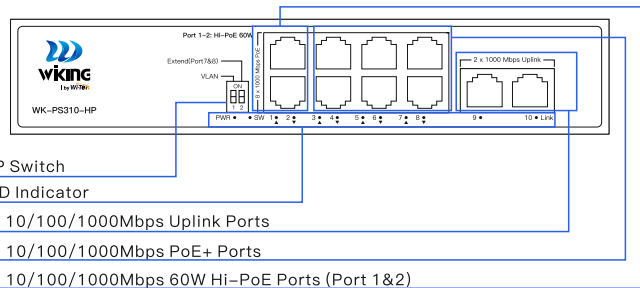


• DIP Switch Description and LED Indicator

WK-PS210-HP DIP Switch Description	
VLAN	Enable VLAN and PD Alive mode. All downlink ports are isolated but can communicate with uplink ports. All PoE ports enable the PD Alive mode to detect and reboot the offline-compliant PoE-powered devices.
Extend	Enable Extend and PD Alive mode. The transmission distance of the PoE port can be up to 250m, but the rate is limited to 10Mbps. All PoE ports enable the PD Alive mode to detect and reboot the offline-compliant PoE-powered devices.
LED Indicators	Description
PWR	Solid on: The system power supply is normal. Off: The system power supply is abnormal.
Link	Solid on: A link has been established on the interface. Blinking: Data is being transmitted or received on the interface. Off: No link is established on the interface.
SW	Solid on: VLAN mode, Extend mode and PD Alive mode enabled. Blinking: Extend mode(or VLAN mode) and PD Alive mode enabled. Off: Default disable VLAN mode, Extend mode and PD Alive mode.

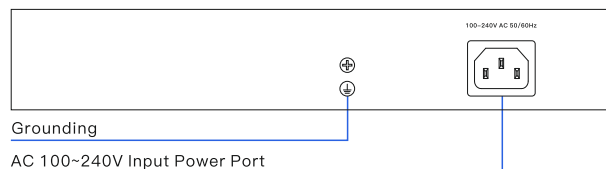
For WK-PS310-HP

• Front Panel



- DIP Switch
- LED Indicator
- 2 * 10/100/1000Mbps Uplink Ports
- 6 * 10/100/1000Mbps PoE+ Ports
- 2 * 10/100/1000Mbps 60W Hi-PoE Ports (Port 1&2)

• Back Panel

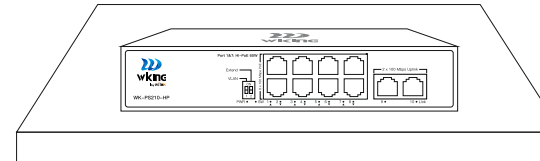


• DIP Switch Description and LED Indicator

WK-PS310-HP DIP Switch Description	
VLAN	Enable VLAN and PD Alive mode. All downlink ports are isolated but can communicate with uplink ports. All PoE ports enable the PD Alive mode to detect and reboot the offline-compliant PoE-powered devices.
Extend	Enable Extend and PD Alive mode. The transmission distance of port 7&8 can be up to 250m, but the rate is limited to 10Mbps. All PoE ports enable the PD Alive mode to detect and reboot the offline-compliant PoE-powered devices.
LED Indicators	Description
PWR	Solid on: The system power supply is normal. Off: The system power supply is abnormal.
Link	Solid on: A link has been established on the interface. Blinking: Data is being transmitted or received on the interface. Off: No link is established on the interface.
SW	Solid on: VLAN mode, Extend mode and PD Alive mode enabled. Blinking: Extend mode(or VLAN mode) and PD Alive mode enabled. Off: Default disable VLAN mode, Extend mode and PD Alive mode.

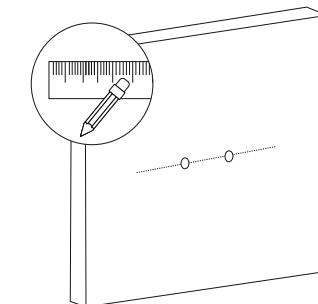
3. Installation

• 3.1 Desktop Installation

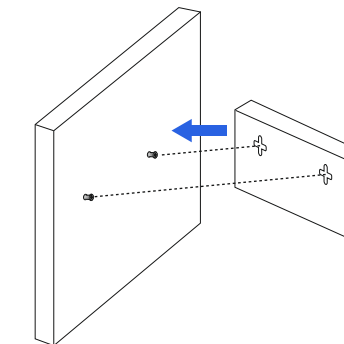


• 3.2 Wall-mount Installation

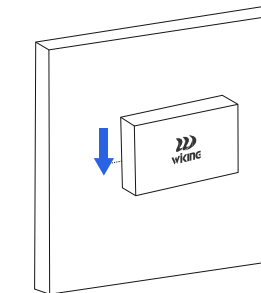
Step1. Install the Switch by following the steps: Fix 2 screws on the wall to align the 2 fixing holes on the Switch, as shown in the figure below, and hang the Switch smoothly on the screws.



Step2. Fix 2 screws on the wall. Leave the screws at least 1.5mm outside the wall to ensure that the switch can be firmly hung on the screws.



Step3. Fasten the switch to the screws through the two installation holes at the bottom of the switch. Place the switch ports side down, and the two sides of the switch are perpendicular to the ground.



Warranty Card

Username	
Address	
Telephone No.	
Purchase Shop	
Purchase Address	
Product Model No.	
Purchase Time	
Serial No.	
Dealer Signature	

- If the product defects within the warranty period, we will provide professional maintenance service.
- Proof of purchase and a complete product serial number are required to receive any services guaranteed as part of the limited warranty.
- Any other defects that are not caused by workmanship or product quality, such as natural disasters, water damage, extreme thermal or environmental conditions, sticker damaged, warranty card loss will disqualify the product from limited warranty.



Technical Support



Company Website



Cloud Management

Wireless-Tek Technology Limited
 Address: Building 3, Units 1801-1807, 1812,
 Huaqiang Era Plaza, Tangwei Community,
 Fuhai Street, Bao'an District, Shenzhen City,
 Guangdong Province, China.

Website: www.wireless-tek.com

Tel: 86-0755-32811290

Email: sales@wireless-tek.com

Technical Support: tech@wireless-tek.com

