

Hardened Cloud Easy Smart PoE Switch

WI-PCES306GF-H | WI-PCES310GF-H



Overview

The Hardened Cloud Easy Smart PoE Switch offers 4/8 1000Mbps PoE ports. Specific network ports can deliver up to 90W BT PoE output, providing robust power support for high-demand devices. It features 1 gigabit RJ45 ports and 1 gigabit SFP slot for flexible network expansion. Support for VLAN, Extend mode and PD Alive mode, via a smart DIP switch meets various project needs. The switch automatically detects and identifies PoE-compliant power-receiving devices and provides both power and data transmission through a network cable, simplifying installation and reducing costs—creating a multi-functional and reliable CCTV network solution.

Features

Fusion of Temperature Sensor and Cloud

The temperature sensor can sense the temperature of the project site in real time and upload it to the cloud platform, which you can monitor remotely in real time. The remote alarm function can effectively prevent risks, such as device faults caused by overtemperature.

PoE 250m Long-Distance Extension

The DIP switch enables Extend mode, allowing all PoE ports to transmit data and power up to 250 meters. No additional hardware or configuration is required, making it easy to use and cost-effective—perfect for deploying surveillance cameras in large areas.

Smart PoE Watchdog for Automatic Reboot Offline PD

All PoE ports support the PD Alive function, which automatically detects and reboots offline PoE powered devices, ensuring stable network operation.

Port Isolation for Security and Broadcast Storm Prevention

With VLAN mode, all PoE ports can communicate only with uplink ports, preventing data leakage between ports and mitigating broadcast storms that could disrupt the network.

ONVIF-based IPC Detection and Automatic Topology Mapping

Effortlessly discover ONVIF IPCs and visualize their connections under the switch via the cloud platform, enabling intuitive network management and faster deployment.

Support Wi-Tek cloud remote management

ONVIF cameras and Wi-Tek cloud management devices can be remotely managed through the Wi-Tek cloud platform/mobile APP, making CCTV network projects truly intelligent and easy to maintain. You can easily access and manage your cameras from your phone or computer anytime, anywhere.

(Note: The EWEB channel can be created only when the easy smart switch is linked with the other type of Wi-Tek cloud management device, such as cloud L2, L3 management switch, gateway, wireless AP, etc.)

Automatic Loop Prevention

By default, the switch enables port loop detection. When a loop occurs on the switch, the port which caused the loop will be closed in time to enable the switch to operate properly and maintain service continuity.

Intelligent Operation and Maintenance

Abnormal alarm can help you locate problems quickly, making your operation and maintenance easier.

-30~65°C Operating Temperature

-30~65°C working temperature design, makes it meet the requirement of harsh application environment.

Specifications



Model	WI-PCES306GF-H	WI-PCES310GF-H
Hardware Specifications		
Interfaces		
Downlink Port	4*10/100/1000Mbps RJ45 PoE Ports	8*10/100/1000Mbps RJ45 PoE Ports
Uplink Port	1*10/100/1000Mbps RJ45 Ports 1*1000Mbps SFP Slot	1*10/100/1000Mbps RJ45 Ports 1*1000Mbps SFP Slot
PoE		
PoE Port	Port 1-4	Port 1-8
PoE Standard	Port 1-4: 802.3af/at/bt	Port 1-2: 802.3af/at/bt Port 3-8: 802.3af/at
PoE Pin Assignment	1/2(+), 3/6(-),4/5(+), 7/8(-)	
PoE Power Budget	55W max. PoE Power Budget with included power adapter at PWR3 input; 160W max. PoE Power Budget with optional industrial power adapter(not included) at PWR3 input; 300W max. PoE Power Budget with optional industrial power adapter(not included) at PWR1/2 input.	110W max PoE Power Budget with included power adapter at PWR3 input; 160W max. PoE Power Budget with optional industrial power adapter(not included) at PWR3 input; 270W max. PoE Power Budget with optional industrial power adapter(not included) at PWR1/2 input.
Performance		
Flash	4MB	
Switch Property		
Standards and Protocols	IEEE 802.3, IEEE802.3af, IEEE 802.3u, IEEE802.3at, IEEE 802.3x, IEEE802.3bt IEEE 802.3z,	
Forwarding Mode	Store and Forward	
Switching Capacity	12Gbps	20Gbps
Packet Forwarding Rate	8.92Mpps	14.88Mpps
MAC Address Table	2k	8k
Packet Buffer Memory	16KB	64KB
Jumbo Frame	9K	
Power Supply		
Input Power	PWR1/2/3: Non-PoE: DC 12-48V PoE: DC 48-57V	

Note: The PoE power budget calculation is based on laboratory testing. The actual PoE power budget is not guaranteed and may vary due to power supply, client limitations, and environmental factors.

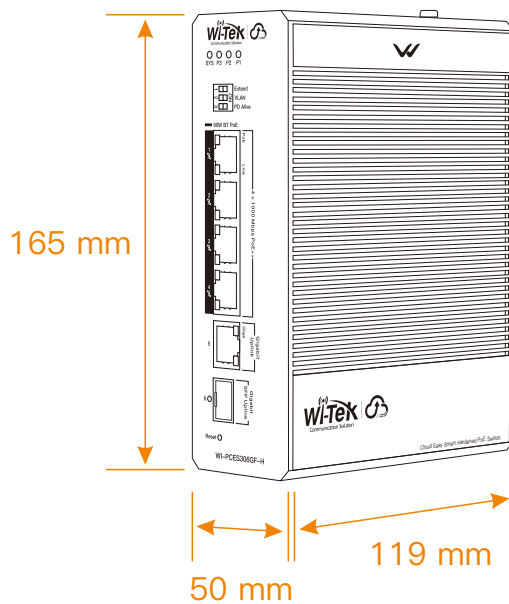
Model		WI-PCES306GF-H	WI-PCES310GF-H
Power Consumption		Idle: 9.4W	Idle: 8.7W
Power Adapter		DC 52V 1.25A 65W max.	DC 52V 2.3A 120W max.
		Operating Temperature: 0°C to 40°C	
Physical Characteristics			
LED Indicators		P1/P2/P3 Solid on: The system power supply is normal Off: The system power supply is abnormal SYS Blinking: The system is working normally Solid On/Off: The system is being started or abnormal PoE(Yellow) On: PoE enabled Off: PoE disabled Link(Green) Solid On: Port connected Off: Port disconnected Blinking: Data transmission Giga Solid On: The negotiated speed is 1000Mbps and ports link up. Off: The negotiated speed is 10/100Mbps, not 1000Mbps.	
		Fanless	
Switch Dimensions (W*D*H)		50*119*165mm	
Package Dimensions		222*238*83mm	
Weight		Net Weight: 0.6kg	Net Weight: 0.7kg
		Package Weight: 1.3kg	Package Weight: 1.4kg
Installation		DIN-rail, Wall-mount	
Environmental			
Reliability	Surge Immunity	IEC 61000-4-5 Common mode ±6kV Differential mode ±2kV	
	ESD Protection	IEC 61000-4-2 Contact discharge ±8kV Air discharge ±15kV	
Operating environment		-30°C to 65°C; 10%~90% RH no condensation	
Storage environment		-40°C to 70°C; 5%~95% RH no condensation	
Others			
Certification		CE, FCC, RoHS, UKCA, RCM	

Model	WI-PCES306GF-H	WI-PCES310GF-H
Software Features		
System Settings	Device Info	
	IP Settings	
	User Management	
	Firmware Upgrade	
	Configuration Backup	
	Reset	
	Save Configuration	
	Reboot	
Switch Settings	Port Settings	
	Port Statistics	
	Storm Control	
	Port Mirroring	
	Port Isolation	
	Port Bandwidth Control	
	Link Aggregation	
	Loop Guard	
	MAC Search	
	Static/Filter MAC	
	MAC Table	
VLAN Settings	VLAN Member	
	VLAN Settings	
PoE Management	PoE Settings	
ONVIF	Onvif Detect	
Cloud Settings	MQTT Client	
	Wi-Tek Devices Discovery Table	

Note: Link Aggregation only supports the aggregation of downlink ports.

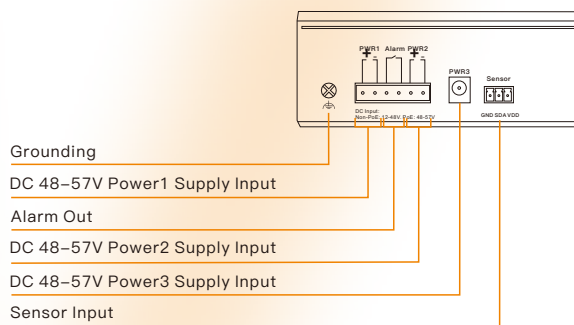
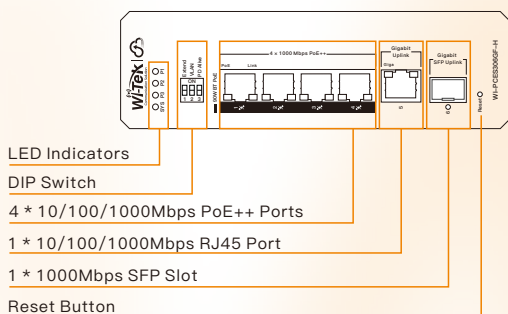
WI-PCES306GF-H

Dimensions (mm)



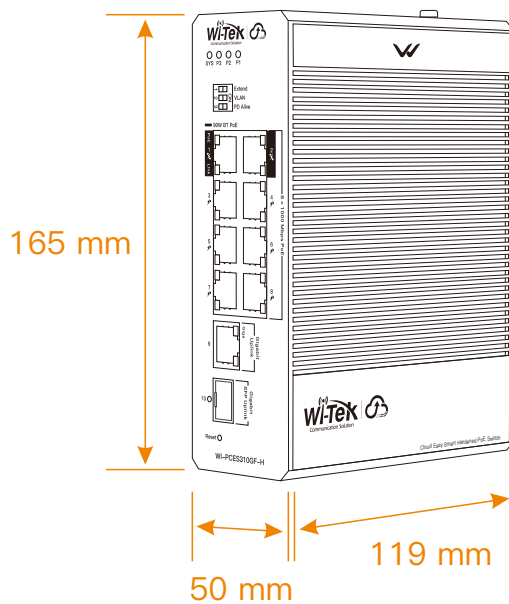
Front Panel

Top Panel



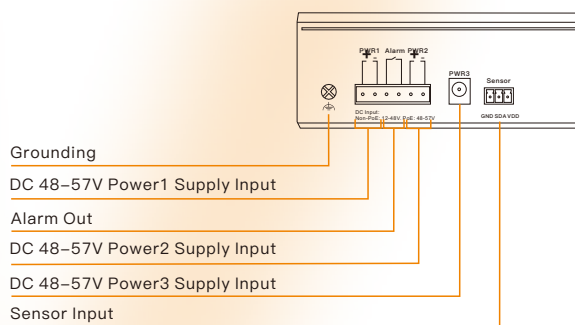
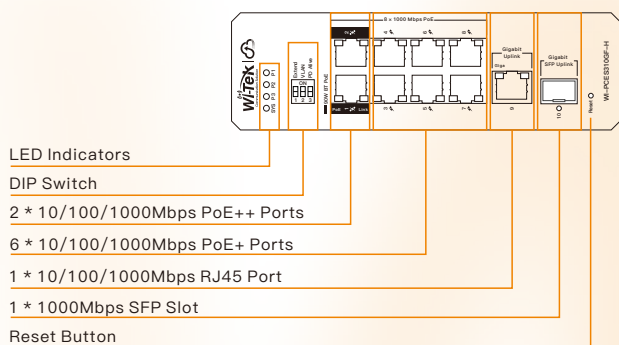
WI-PCES310GF-H

Dimensions (mm)



Front Panel

Top Panel



Package Contents

Welcome to order our products. After purchasing, you will receive:

Items	Quantity
Switch	1 pcs
Quick installation Guide	1 pcs
Mounting Accessories	1 set
DIN–Rail Mounting Accessories	1 pcs
Temperature/Humidity Sensor	1 pcs
Power Adapter	1 set
Phoenix Terminal	1 set



Wireless–Tek Technology Limited

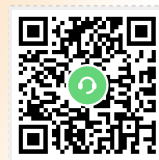
Address: Building 3, Units 1801–1807, 1812, Huaqiang Era Plaza, Tangwei Community, Fuhai Street, Bao’an District, Shenzhen City, Guangdong Province, China.

Website: www.wireless–tek.com

Tel: 86–0755–32811290

Email: sales@wireless–tek.com

Technical Support: tech@wireless–tek.com



Technical Support



Cloud Management



Company Website