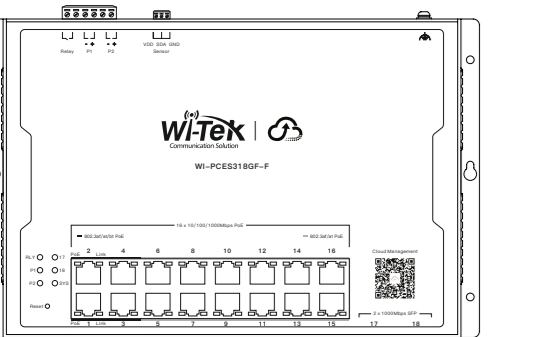


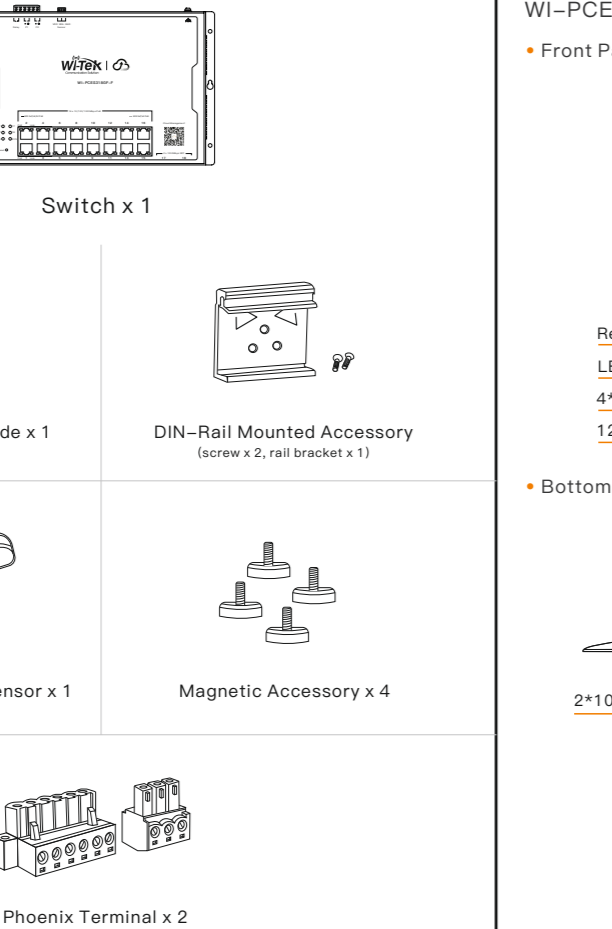
Quick Installation Guide

Cloud Hardened Flat Easy Smart Switch

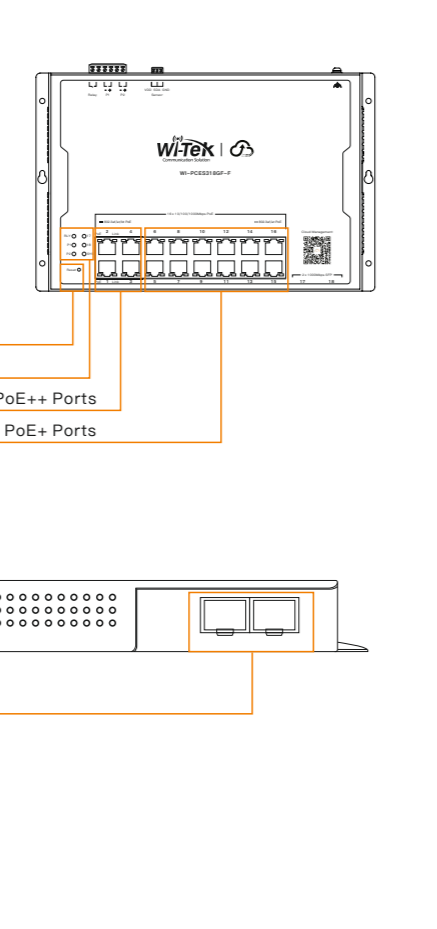


WI-PCES318GF-F

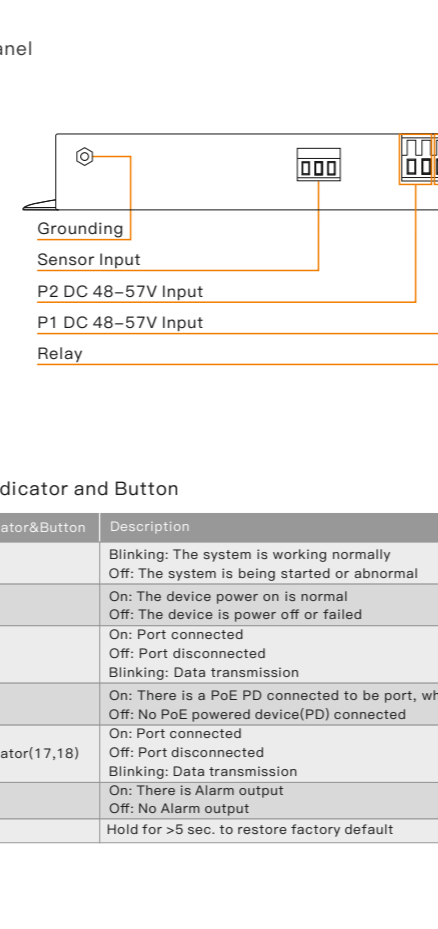
1. Packing Content



2. Appearance Overview



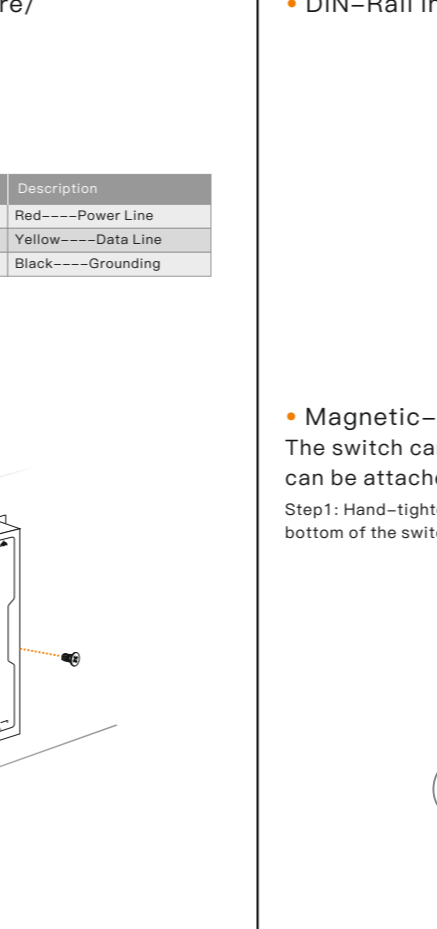
3. Installation



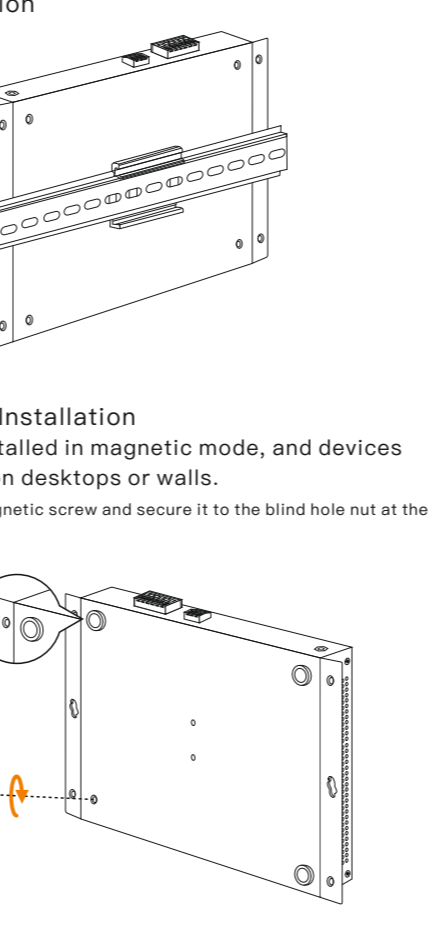
PIN	Description
VDD	Red----Power Line
SDA	Yellow----Data Line
GND	Black----Grounding

LED Indicator&Button	Description
SYS	Blinking: The system is working normally Off: The system is being started or abnormal
P1/P2	On: The device power on is normal Off: The device is power off or failed
Link	On: Port connected Off: Port disconnected Blinking: Data transmission
PoE	On: There is a PoE PD connected to be port, which supply power successfully Off: No PoE powered device(PD) connected
SFP Indicator(1,7,18)	On: Port connected Off: Port disconnected Blinking: Data transmission
RLY	On: There is Alarm output Off: No Alarm output
Reset	Hold for >5 sec. to restore factory default

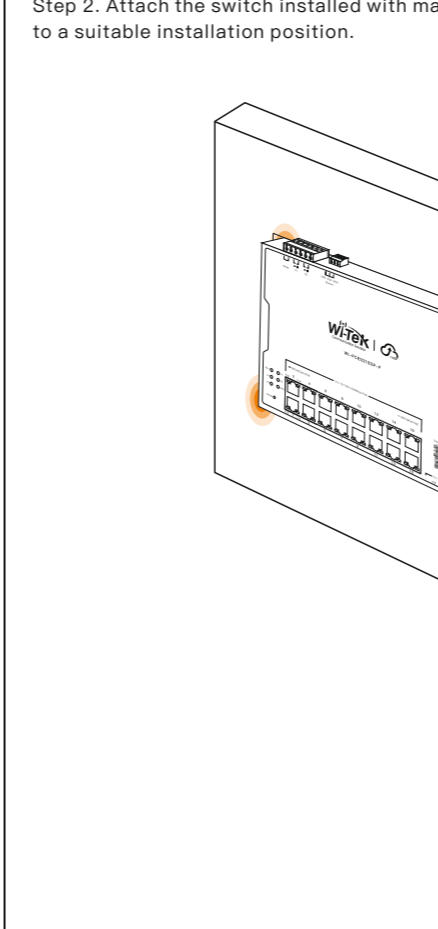
4. Configuration



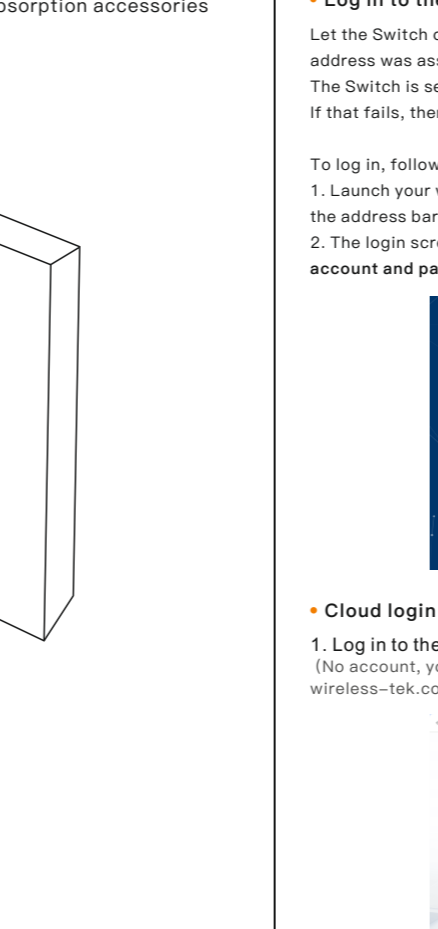
5. Configuration



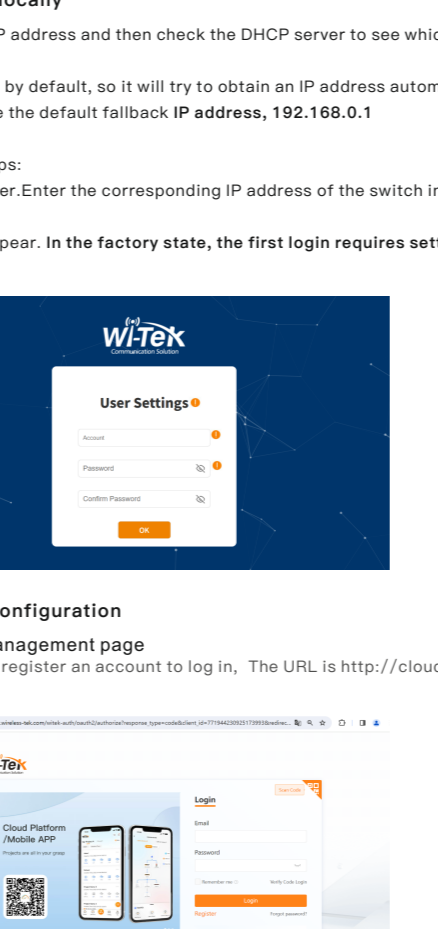
6. Configuration



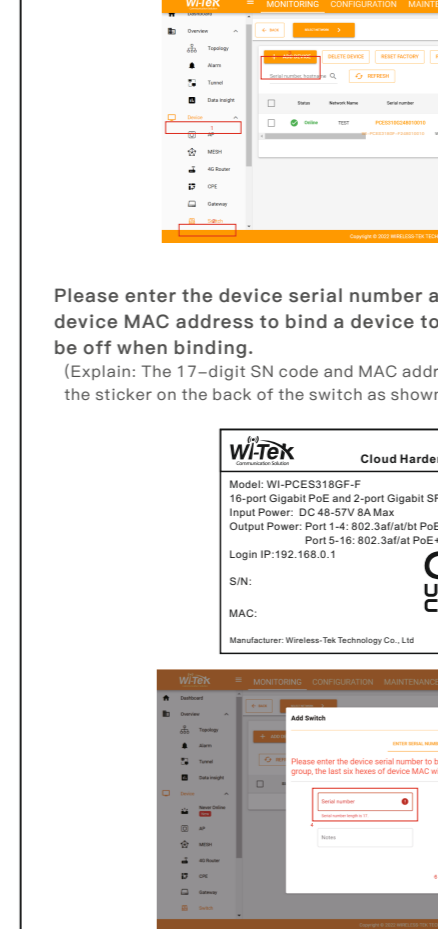
7. Configuration



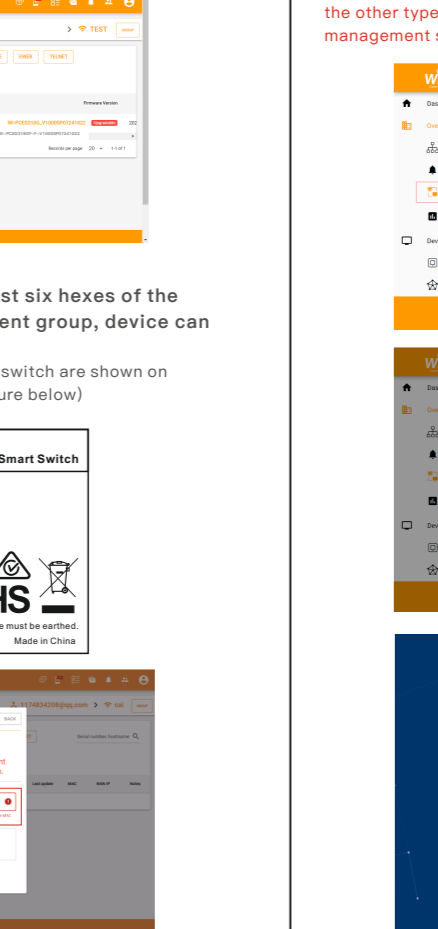
8. Configuration



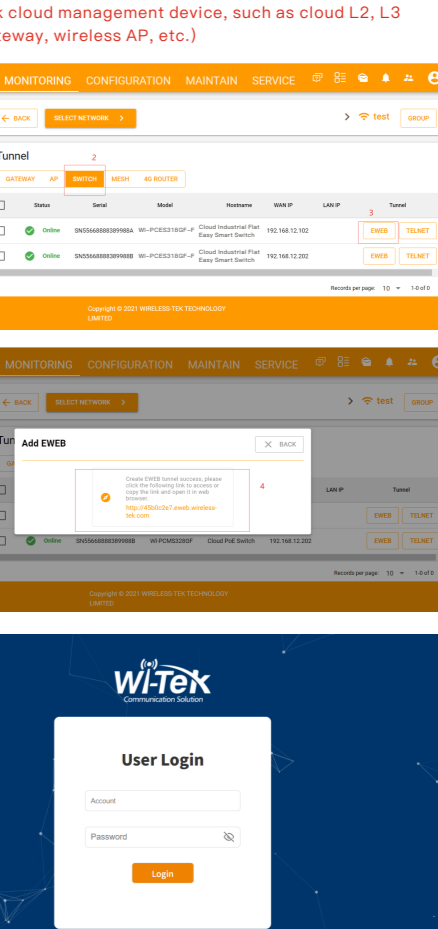
9. Configuration



10. Configuration



11. Configuration



12. Configuration



Warranty Card

Username	
Address	
Telephone No.	
Purchase Shop	
Purchase Address	
Product Model No.	
Purchase Time	
Serial No.	
Dealer Signature	

• If the product defects within the warranty period, we will provide professional maintenance service.
 • Proof of purchase and a complete product serial number are required to receive any services guaranteed as part of the limited warranty.
 • Any other defects that are not caused by workmanship or product quality, such as natural disasters, water damage, extreme thermal or environmental conditions, sticker damaged, warranty card loss will disqualify the product from limited warranty.

Technical Support Company Website Cloud Management

Wireless-Tek Technology Limited
 Address: Building 3, Units 1801-1807, 1812, Huaqiang Era Plaza, Tangwei Community, Fuhai Street, Bao'an District, Shenzhen City, Guangdong Province, China.
 Website: www.wireless-tek.com
 Tel: 86-0755-32811290
 Email: sales@wireless-tek.com
 Technical Support: tech@wireless-tek.com