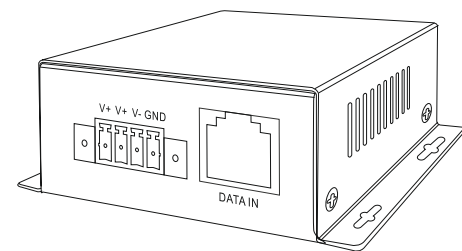
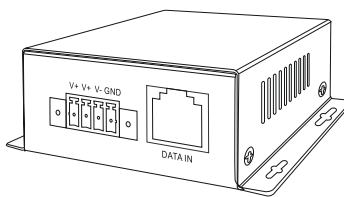


# Quick Installation Guide

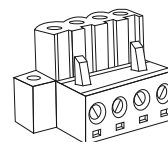
Boost PoE Injector



WI-POE62-24V | WI-POE62-48V



1 x PoE Injector



1 x Phoenix Terminal

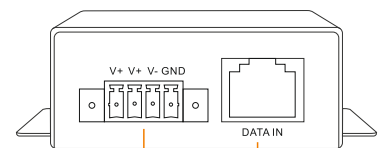


1 x Installation Guide

## 1. Packing Content

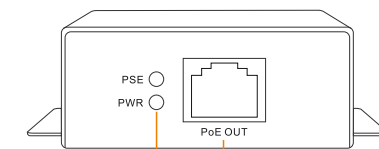
## 2. Appearance Overview

WI-POE62-24V  
• Front panel



DC 9-32V 3A Max  
1\*10/100/1000Mbps RJ45 Data In Port

• Back panel

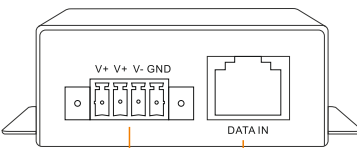


LED Indicator  
1\*10/100/1000Mbps RJ45 PoE Port

• LED indicator

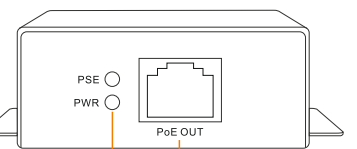
LED Indicators	Description
PWR	On: The device power on is normal Off: The device is power off or failed
PSE	On: PoE enabled Off: PoE disabled

WI-POE62-48V  
• Front panel



DC 9-42V 5A Max  
1\*10/100/1000Mbps RJ45 Data In Port

• Back panel



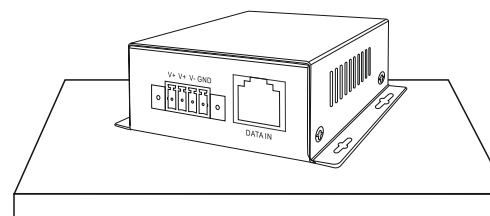
LED Indicator  
1\*10/100/1000Mbps RJ45 PoE Port

• LED indicator

LED Indicators	Description
PWR	On: The device power on is normal Off: The device is power off or failed
PSE	On: PoE enabled Off: PoE disabled

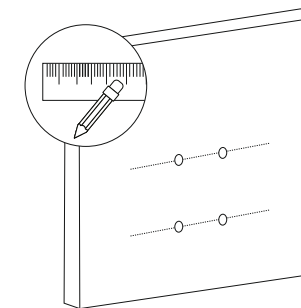
## 3. Installation

• Desktop Installation

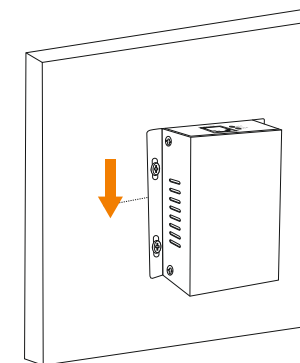
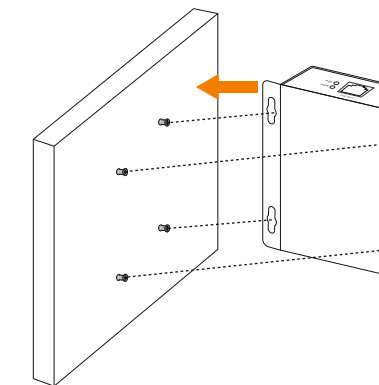


• Wall-mount Installation

Install the PoE Injector by following the steps:  
**Step1.** Fix 4 screws on the wall to align the 4 fixing holes on the PoE Injector, as shown in the figure below.



**Step2.** Hang the PoE Injector smoothly on the screws.



## Warranty Card

Username	
Address	
Telephone No.	
Purchase Shop	
Purchase Address	
Product Model No.	
Purchase Time	
Serial No.	
Dealer Signature	

- If the product defects within the warranty period, we will provide professional maintenance service.
- Proof of purchase and a complete product serial number are required to receive any services guaranteed as part of the limited warranty.
- Any other defects that are not caused by workmanship or product quality, such as natural disasters, water damage, extreme thermal or environmental conditions, sticker damaged, warranty card loss will disqualify the product from limited warranty.



Technical Support



Company Website



Cloud Management

Wireless-Tek Technology Limited  
Address: Building 3, Units 1801-1807, 1812,  
Huaqiang Era Plaza, Tangwei Community,  
Fuhai Street, Bao'an District, Shenzhen City,  
Guangdong Province, China.  
Website: www.wireless-tek.com  
Tel: 86-0755-32811290  
Email: sales@wireless-tek.com  
Technical Support: tech@wireless-tek.com

