

Cloud Easy Smart Outdoor PoE Switch

WI-PCES206-O | WI-PCES210G-O



Overview

Wi-Tek Cloud Easy Smart Outdoor PoE Switch is designed to address the unique challenges of variable weather environments. Wi-Tek Outdoor PoE Switch, a cost-effective, all-in-one solution for your outdoor CCTV systems, designed with 4/8 PoE output PoE ports, the IP camera, and other PoE-powered devices can be powered up and transmit data by one Ethernet cable, which shortens the construction period and cost.

This series of switches supports cloud management where you can remotely manage your devices in the cloud platform/mobile app, providing you with intelligent, simple, and easy-to-maintain management measures. Users can view the network status, modify the configuration, and troubleshoot at home anytime.

Features

Wi-Tek Cloud Management

ONVIF cameras and Wi-Tek cloud management devices can be remotely managed through the Wi-Tek cloud platform/mobile APP, making CCTV network projects truly intelligent and easy to maintain. You can easily access and manage your cameras through your phone or computer anytime, anywhere.

(Note: The Eweb channel tunnel can be created only when the easy smart switch is linked with the other type of Wi-Tek cloud management device, such as cloud L2, L3 management switch, gateway, wireless AP, etc.)

IP65 Waterproof and Dustproof Enclosure Design

It adopts a high-weather-resistant shell and provides dustproof and waterproof capabilities. It can work normally in extreme environments as low as -30°C and as high as 60°C , without fear of wind, sun, rain, and snow.

Independent Intelligent DIP, Easy to Switch Functional Modes

DIP switch provides Extend mode(250m Long Range), VLAN mode and PD Alive mode. No configuration is needed, quick provision and more flexible project adaptation.

Specifications



Model	WI-PCES206-O	WI-PCES210G-O
Hardware Version	V1	V1
Interfaces		
Downlink Port	4*10/100Mbps RJ45 PoE Ports	8*10/100Mbps RJ45 PoE Ports
Uplink Port	2*10/100Mbps Ethernet Ports	2*10/100/1000Mbps Ethernet Ports
PoE		
PoE Port	Port 1-4	Port 1-8
PoE Standard	Port 1-2: Hi-PoE 45W Port 3-4: 802.3af/at 30W	Port 1-2: Hi-PoE 45W Port 3-8: 802.3af/at 30W
PoE Pin Assignment	1/2(+), 3/6(-)	
PoE Power Budget	60 W	100 W
Performance		
Flash	Flash: 16MB	
Switch Property		
Standards and Protocols	IEEE 802.3 (Ethernet) IEEE 802.3u (Fast Ethernet) IEEE 802.3ab (Gigabit Ethernet) IEEE 802.3af (Power over Ethernet) IEEE 802.3at (Power over Ethernet Plus)	
Forwarding Mode	Store and Forward	
Switching Capacity	1.2Gbps	5.6Gbps
Packet Forwarding Rate	0.89Mpps	4.17Mpps
MAC Address Table	8k	4k
Packet Buffer Memory	4Mbit	
Jumbo Frame	9216Byte	

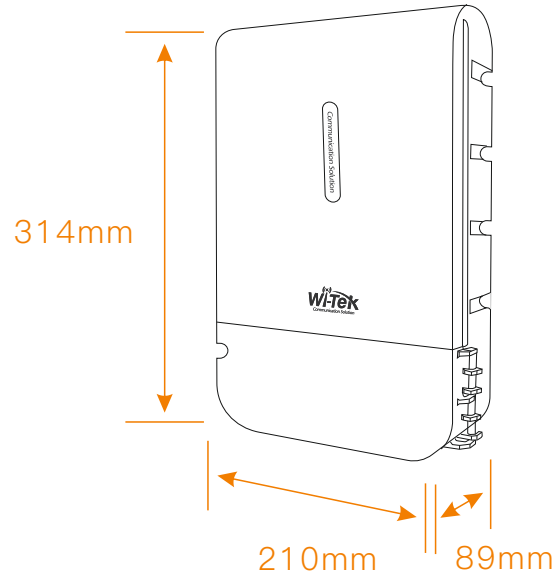
Model	WI-PCES206-O	WI-PCES210G-O
Power Supply		
Input Power	100~240V AC 50/60Hz	
Power Consumption	Idle: 3W 100% Traffic Rate with PoE: 63W	Idle: 2.4W 100% Traffic Rate with PoE: 102.4W
Physical Characteristics		
LED Indicators	<p>PWR(Orange) On: The device power on is normal Off: The device is power off or failed</p> <p>PoE(Orange) On: PoE enabled Off: PoE disabled</p> <p>Link(Orange) On: Port connected Off: Port disconnected Blinking: Data transmission</p>	<p>PWR(Green) On: The device power on is normal Off: The device is power off or failed</p> <p>PoE(Orange) On: PoE enabled Off: PoE disabled</p> <p>Link(Orange) On: Port connected Off: Port disconnected Blinking: Data transmission</p>
Physical Characteristics		
DIP Switch	<p>1. Extend The transmission distance of PoE Port can be up to 250m witch 10Mbps</p> <p>2. VLAN Each PoE port just can send data to Up-link port</p> <p>3. PD Alive All PoE ports enable PoE watchdog function, which can detect and reboot the offline compliant PoE powered devices</p>	
Reset	Hold for >5 sec. to restore factory default	
Fan Quantity	Fanless	
Switch Dimensions	314×210×89 mm	314×210×89 mm
Package Dimensions	405×253×97 mm	405×253×97 mm

Model		WI-PCES206-O	WI-PCES210G-O
Weight		Net Weight: 1.06kg	Net Weight: 1.06kg
		Package Weight: 1.77kg	Package Weight: 1.77kg
Installation		Wall-mounted, Pole-mounted	
Environmental			
Reliability	Surge Immunity	IEC 61000-4-5 Common mode 4kV Differential mode 2kV	
	ESD Protection	IEC 61000-4-2 Contact discharge 6kV Air discharge 8kV	
Operating Environment		-30°C-60°C (-22°F-140°F); 10-90% RH non-condensing	
Storage Environment		-40°C-70°C (-40°F-158°F); 5-90% RH non-condensing	
Certification			
Certification		CE, FCC, RoHS, UKCA, RCM	

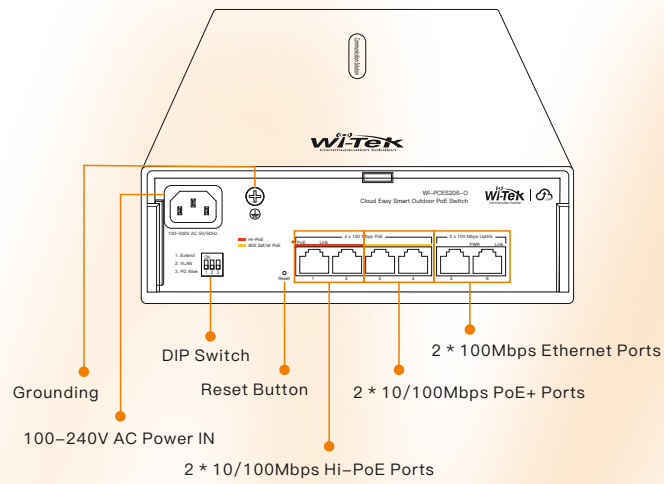
Model	WI-PCES206-O	WI-PCES210G-O
Software Features		
System Settings	IP Settings	
	User Management	
	Firmware Upgrade	
	Reset	
	Reboot	
Monitoring	Port Statistics	
	Cable Diagnostics	
Switch Settings	Port Mirroring	
	Port Isolation	
	Port Reboot	
	Jumbo Frame	
	MAC Search	
	Static MAC	
	MAC List	
	Storm Control	
	Bandwidth Control	
VLAN Settings	Port-based VLAN	
	VLAN Range: 1-4094	
PoE Settings	PoE port disable	
	PD Alive	
	Extend PoE	
ONVIF	Automatically identify IP cameras that support ONVIF	
Wi-Tek Cloud manage	Cloud management and APP management	

WI-PCES206-O

Dimensions (mm)

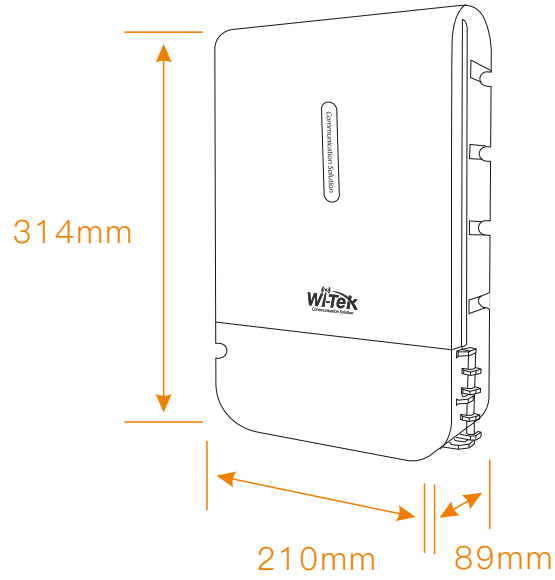


Back Panel

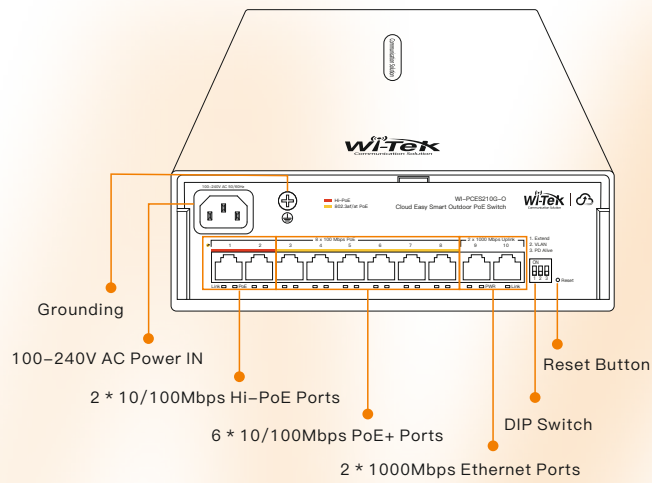


WI-PCES210G-O

Dimensions (mm)



Back Panel



Package Contents

Welcome to order our products. After purchasing, you will receive:

Items	Quantity
Switch	1 pcs
Rubber Plug	2 pcs
Wall Hanging Positioning Sticker	1 pcs
Power Cord	1 pcs
Metal Tie Accessory	2 pcs
Quick Installation Guide	1 pcs
M36 Waterproof Gland(Optional)	2 pcs



Wireless-Tek Technology Limited

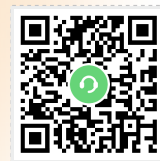
Address: Building 3, Units 1801-1807, 1812, Huaqiang Era Plaza, Tangwei Community, Fuhai Street, Bao'an District, Shenzhen City, Guangdong Province, China.

Website: www.wireless-tek.com

Tel: 86-0755-32811290

Email: sales@wireless-tek.com

Technical Support: tech@wireless-tek.com



Technical Support



Cloud Management



Company Website