



WI-PS318GF
16GE+2SFP 48V Ports PoE Switch
with 16-Port PoE
Data sheet

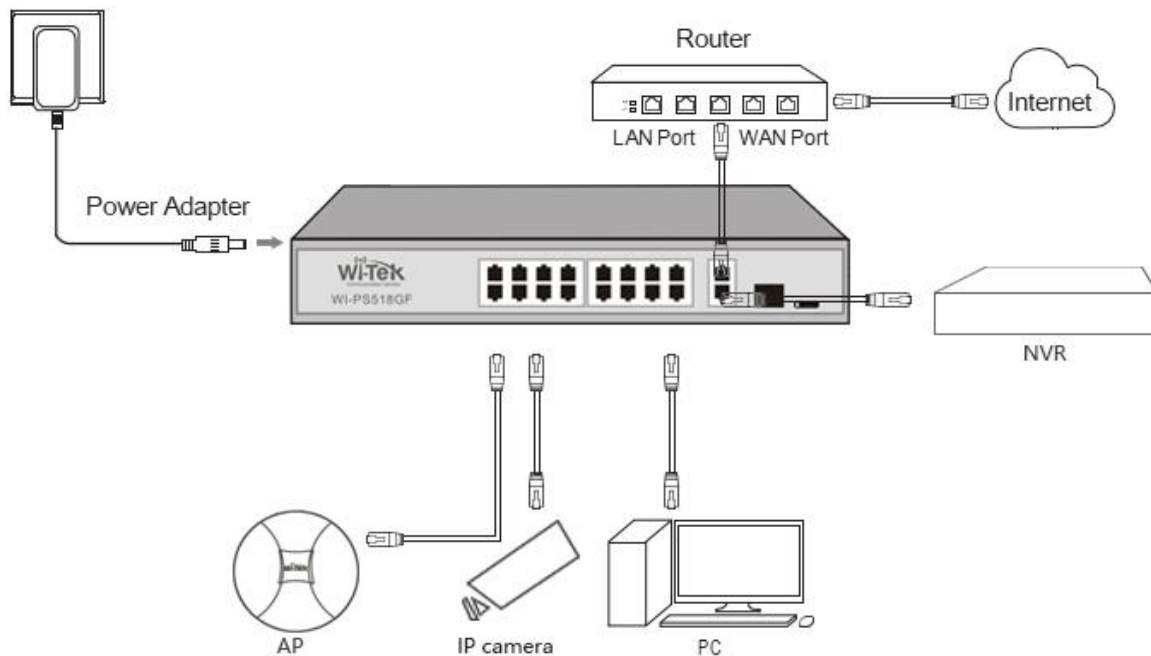
Highlights

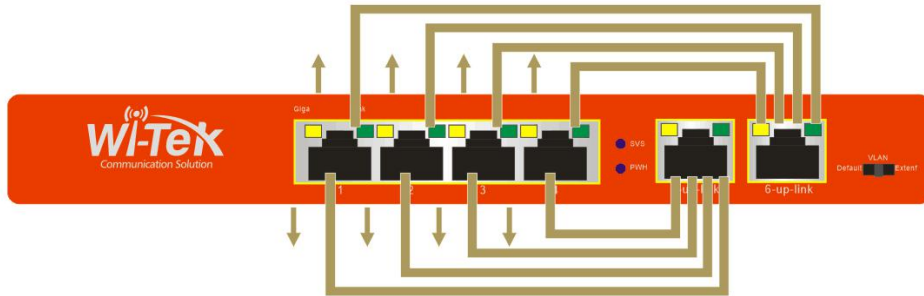
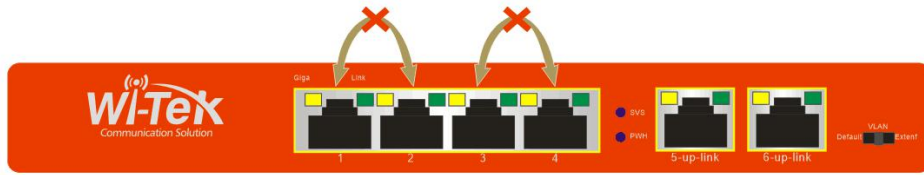
- 16GE+2SFP Full Gigabit Switch with 16 PoE ports
- Supports PoE power up to 30W for each port
- Supports PoE IEEE 802.3af/at compliant PDs
- Internal power adapter supply 350W output power
- Support Port VLAN(port isolation) mode
- LED indicators for LINK/ACT, Power, PoE Status, 100/1000Mbps
- 8K entry MAC address table with auto-learning and auto-aging

Product



Typical Applications





Description

What This Product Does

16GE+2SFP Port Gigabit Switch with 16-Port PoE provides the seamless network connection. It integrates 1000Mbps Gigabit Ethernet and 10/100Mbps Fast Ethernet network capabilities.

How This Product Works

16 Auto-Negotiation RJ45 ports (port-1 to port-16) of the switch support Power over Ethernet (PoE) function. These PoE ports can automatically detect and supply power with those IEEE 802.3af/at compliant Powered Devices (PDs). In this situation, the electrical power is transmitted along with data in one single cable allowing you to expand your network where there are no power lines or outlets, where you wish to fix devices such as APs, IP Cameras or IP Phones, etc.

Easy To Use

WI-PS318GF is easy to install and use. It requires no configuration and installation. With outstanding performance and quality, the WI-PS318GF 16GE+2SFP Port Gigabit Switch with 16-Port PoE is a great selection for expanding your home or office network.

Specification

HARDWARE FEATURES	
Interface	16 1000M POE ports 2 SFP Uplink Ports

HARDWARE FEATURES

Network Media	10Base-T: Pair 2 Category 3(Cat3) and above UTP/STP(≤100m) 100Base -TX: Pair 2 Category 5(Cat5) and above UTP/STP(≤100m) 1000Base-T: Pair 4 Category 5(Cat5e) and above UTP/STP(≤100m) 1000Base-SX:62.5μm/50μm MMF(2m~550m) 1000Base-L X:62.5μm/50μm MM(2m~550m) or 10μm SMF(2m~5000m)
Fan Quantity	2 Fan
Power Budget	350W
Internal Power Supply	AC 110~265V 50/60HZ
PoE Ports (RJ45)	Standard: 802.3 af/at compliant PoE Ports: Port1- Port16 Power Supply: 350W
Exchange Capacity	36G
Mac Address Table	8K
Packet Forwarding	26.8Mbps

HARDWARE FEATURES	
Rate	
Buffer	4Mb
Jumbo Frame	10240Bytes
Dimensions	Product Size: 440mm*290mm*45mm (L*W*H)

SOFTWARE FEATURES	
Transmission Method	Store-And-Forward
Advanced Functions	Priority Function Mac Address Auto-Learning And Auto-Aging Store and forward IEEE 802.3x flow control for Full-duplex Mode Backpressure for Half-duplex Mode

OTHERS	
Certification	CE, FCC, RoHS
Package Contents	POE Switch Electric Line

	Guide Book/Warranty Card
Environment	Working Temperature: -10°C ~ 55°C Storage temperature : -40°C ~ 70°C Working Humidity : 10% ~ 90% RH non-condensing Storage Humidity: 5% ~ 90% RH non- condensing