



WI-PMS310GF-Alien-I
8GE+2SFP Ports 24-48V Mixed L2
Managed Industrial PoE Switch with 8-
Port PoE
Data sheet

Highlights

- Provide 8*10/100/1000Base-T RJ45 ports, 2*1000BASE-X SFP ports
- Buffer reaches 4Mbit, Support 4K high-definition video transmission
- Port 1-8 support 24V/48V PoE auto detect
- Support 1 channel DC Input 12-50V Input, can connect solar system directly;
2 channel DC input 37-57V Input
- Support Smart PoE Watchdog Function for PD alive check
- Support Web-based network management, support VLAN, QoS, RSTP, SNMP etc. network function
- Support fast ring , support 30 pcs switches Max. in a cascade system ,Self-healing in 20ms Min
- Industrial Level 4 Protection(ESD,RS,EFT,CS);
- -40°C ~ 80°C working temperature
- Alarm input and output port for connect external alarm device
- Support Temperature Sensor to detect Temperature status
- IEEE802.3af (15.4W) and IEEE802.3at (30W) and 24V Passive PoE

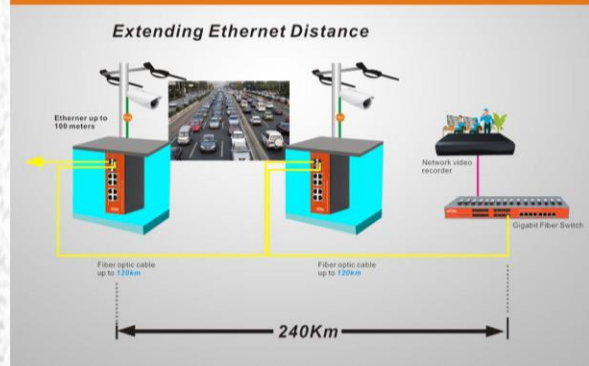


Typical Application

Fast Ring



120KM Transmit Distance



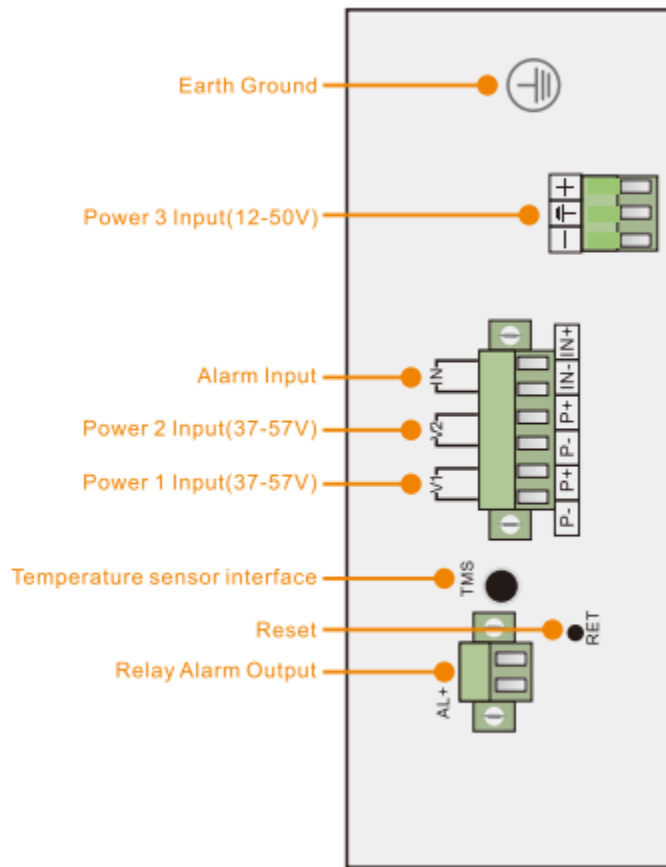
Robust Layer 2 Features

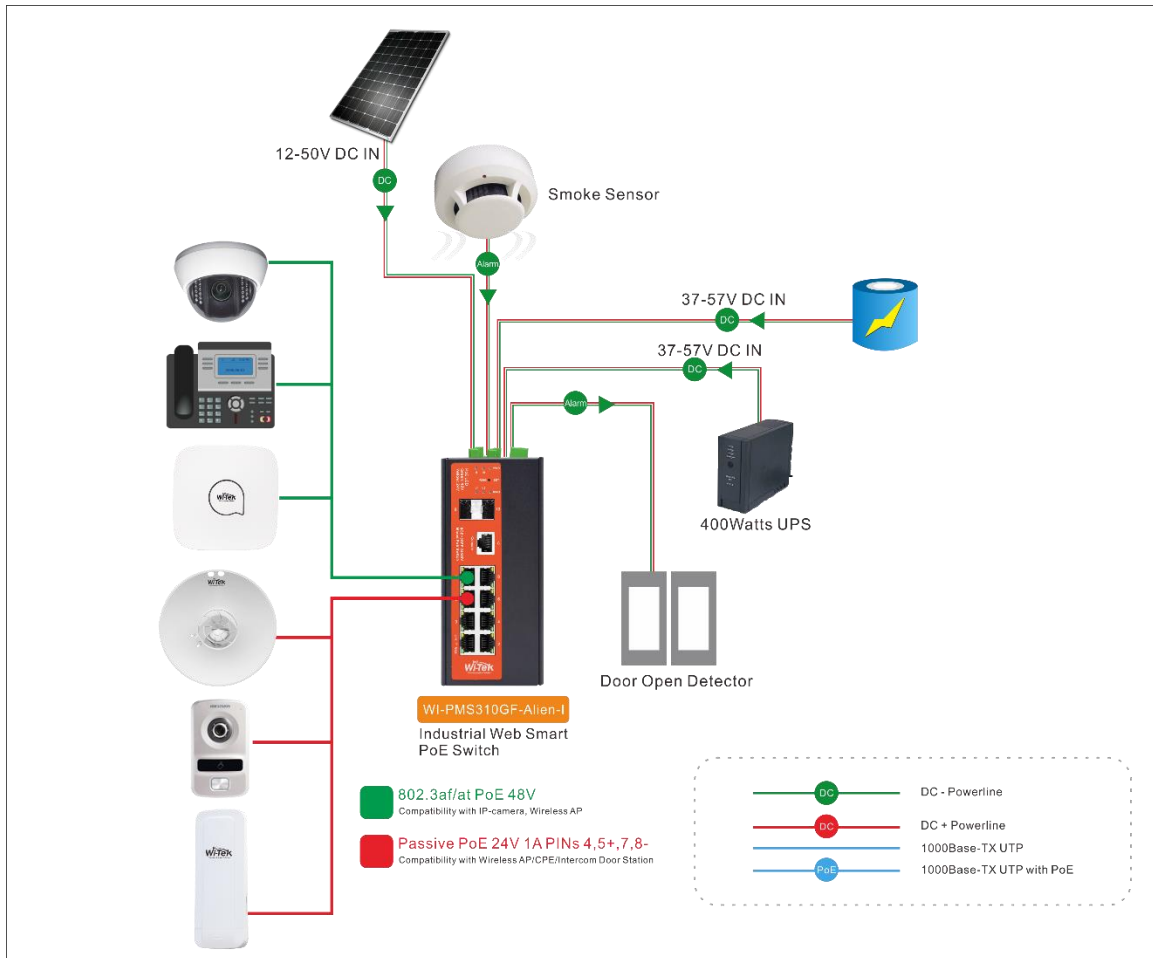


Secure Management



Product





Description

What This Product Does

WI-PMS310GF-Alien-I is 10 Ports Industrial Full Gigabit Managed Switch. Provide 8*10/100/1000 Base-T Ethernet ports, 2*1000BASE-X SFP ports(Uplink). The switch provides up to 4Mbit cache, Support 4K high-definition video transmission. support Web-based network management, support VLAN, QoS, RSTP, SNMP etc. network function; Working temperature is -40°C ~ 80°C, strong level of protection from lightning and interference. It fully satisfies the needs of security video surveillance project.

WI-PMS310GF-Alien-I has robust security and management features. The IP-MAC-Port-VID Binding and Access Control List (ACL) functions protect against broadcast storms, ARP and Denial-of-Service(DoS) attacks, etc. Quality of Service (QoS, L2 to L4) provides enhanced traffic management capabilities to move your data smoother and faster. Anymore, the easy-to-use web management interfaces, along with CLI, SNMP, mean faster setup and configuration with less downtime. For work-group and departments requiring cost-sensitive Layer 2 Switch and gigabit capability, Wi-Tek L2 managed Switch WI-PMS310GF-Alien-I support fast ring ,support 30 pcs switches Max. in a cascade system, Self-healing in 20ms Min, provides you the ideal Industrial solution.

Secure Networking

Wi-Tek this WI-PMS310GF-Alien-I provides IP-MAC-Port-VID Binding, Port Security, Storm control and DHCP Snooping which protect against broadcast storms, ARP attacks, etc. It integrates some typical DoS attacks to select. You can protect these attacks more easily ever than before. In addition, the Access Control Lists (ACL, L2 to L4) feature restricts access to sensitive network resources by denying packets based on source and destination MAC address, IP address, TCP/UDP ports and even VLAN ID. Moreover, the switch supports 802.1X authentication, which is used in conjunction with a RADIUS server to require some authentication information before access to the network is allowed.

Advanced QoS features

To integrate voice, data and video service on one network, the switch applies rich QoS policies. Administrator can designate the priority of the traffic based on a variety of

means including IP or MAC address, TCP or UDP port number, etc, to ensure that voice and video are always clear, smooth and jitter free.

Abundant Layer 2 features

For more application of layer 2 switches, WI-PMS310GF-Alien-I supports a complete lineup of layer 2 features, including 802.1Q tag VLAN, Port Isolation, Port Mirroring, STP/RSTP/MSTP, Link Aggregation Control Protocol and 802.3x Flow Control function. Any more, the switch provides advanced features for network maintenance. Such as Loop Back Detection, Cable Diagnostics and IGMP Snooping. IGMP snooping ensures the switch intelligently forward the multicast stream only to the appropriate subscribers while IGMP throttling & filtering restrict each subscriber on a port level to prevent unauthorized multicast access.

Specification

HARDWARE FEATURES

Interface	<p>8 10/100/1000Mbps RJ45 Ports (Auto Negotiation/Auto MDI/MDIX)</p> <p>2 1000Mbps SFP Slots</p> <p>1 Console Port</p> <p>1 Alarm Input</p> <p>1 Alarm Output</p> <p>1 Temperature Sensor Port</p>
Network Media	<p>10BASE-T: UTP category 3, 4, 5 cable (maximum 100m)</p> <p>100BASE-TX/1000Base-T: UTP category 5, 5e, 6 or above cable (maximum 100m)</p> <p>1000BASE-X: MMF, SMF</p> <p>1000Base-L</p> <p>X:62.5µm/50µm</p> <p>MM(2m~550m) or 10µm</p> <p>SMF(2m~5000m)</p>
Fan Quantity	Fanless
Surge Immunity	8KV Per: IEC61000-4-5
ESD Protection	<p>ESD Level</p> <p>4 Per: IEC61000-4-2</p> <p>RS Level</p> <p>4 Per: IEC61000-4-3</p> <p>EFT Level</p> <p>4 Per: IEC61000-4-4</p> <p>CS Level</p> <p>4 Per: IEC61000-4-6</p>
External Power Supply	<p>DC1: 12-50V 10A Max</p> <p>DC2: 37-57V 8A Max</p> <p>DC3: 37-57V 8A Max</p>

PoE Ports (RJ45)	Port1-8 Standard: 24V Passive /48V 802.3af/at compliant
Exchange Capacity	20G
Packet Forwarding Rate	18Mpps
Mac Address Table	8K
Packet Buffer Memory	4Mb
Jumbo Frame	10240 Bytes
Dimensions	Product Size: 165mm× 135mm× 70mm (L*W*H)

SOFTWARE FEATURES

Quality of Service	Support 802.1p CoS/DSCP priority Support 4 priority queues Queue scheduling: SP, WRR, SP+WRR Port/Flow- based Rate Limiting
L2 Features	IGMP Snooping V1/V2/V3 802.3ad LACP (Up to 8 aggregation groups, containing 8 ports per group) Spanning Tree STP/RSTP/MSTP Port isolation BPDU filtering/guard TC/Root protect Loop back detection 802.3x Flow Control
VLAN	Supports up to 4K VLANs simultaneously (out of 4K VLAN IDs) Port/ MAC/Protocol-based VLAN Management VLAN configuration
Access Control List	L2~L4 package filtering based on source and destination MAC address, IP address, TCP/UDP ports, 802.1p, DSCP, protocol and VLAN ID; Time Range Based
Security	IP-MAC-Port-VID Binding IEEE 802.1X Port/MAC Based authentication, Radius, Guest VLAN DoS Defence Dynamic ARP inspection (DAI) SSH v1/v2

	SSL v2/v3/TLSv1 Port Security Broadcast/Multicast/Unknown-unicast Storm Control
Management	Web-based GUI and CLI management SNMP v1/v2c/v3, compatible with public MIBs DHCP/BOOTP Client, DHCP Snooping, DHCP Option82 CPU Monitoring Port Mirroring Time Setting: SNTP Integrated NDP/NTDP feature Firmware Upgrade: TFTP & Web System Diagnose: VCT SYSLOG & Public MIBS

OTHERS	
Certification	CE, FCC, RoHS
Package Contents	POE Switch Temperature Sensor Screw Driver Guide Book/Warranty Card
Environment	Working Temperature: -40°C~80°C Storage temperature : -40°C~90°C Working Humidity :

10%~90% RH

non-condensing

Storage Humidity:

5%~95% RH non-

condensing



WIRELESS-TEK TECHNOLOGY LIMITED

www.wireless-tek.com

Email: sales@wireless-tek.com

Technical Support: tech@wireless-tek.com

www.wireless-tek.com