



**WI-PS306GF-UPS V2**  
**5GE+1SFP Ports 24-48V UPS No-Break**  
**PoE Switch with 5-Port PoE**  
**Data sheet**

## Highlights

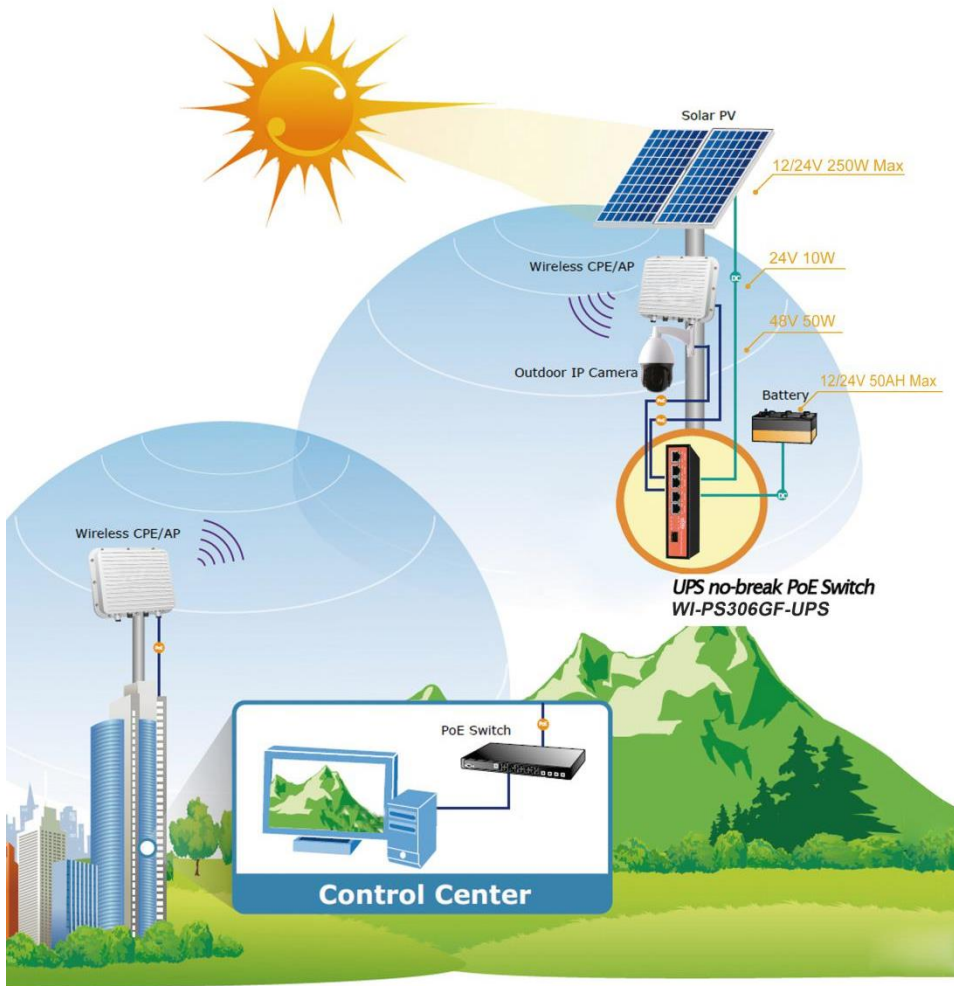
- 5GE+1SFP Full Gigabit Switch with 5 PoE ports
- Inside solar controller and battery controller for charge and dis-charge battery circulatory from solar Panel and DC INPUT
- 24-48V PoE output suit for work with wireless AP and Camera at same time
- 60W high output power PoE port make it compatible to speed dome camera
- Support PoE Watchdog for detect the camera happen system halted then auto restart PoE Port
- Support 250meter Long-Range PoE transmit
- Support Port VLAN for Port isolation
- Support Fiber Watchdog for detect fiber module halted then auto restart fiber port
- Small size design for outdoor CCTV system waterproof box

## Product



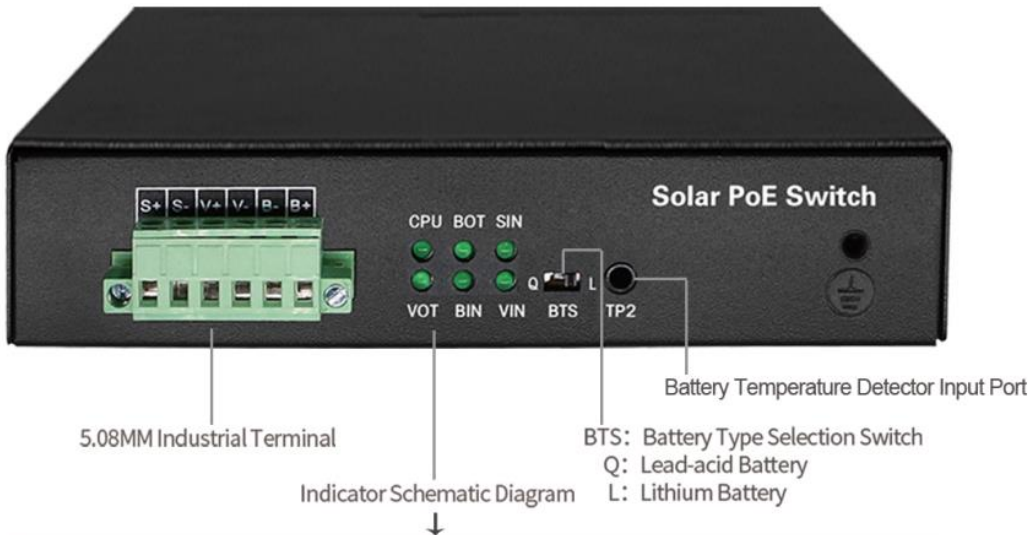
## Typical Application





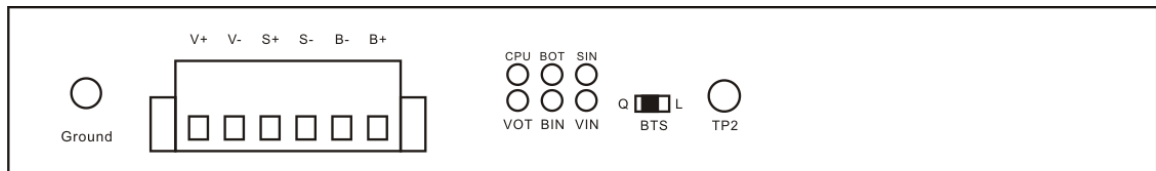
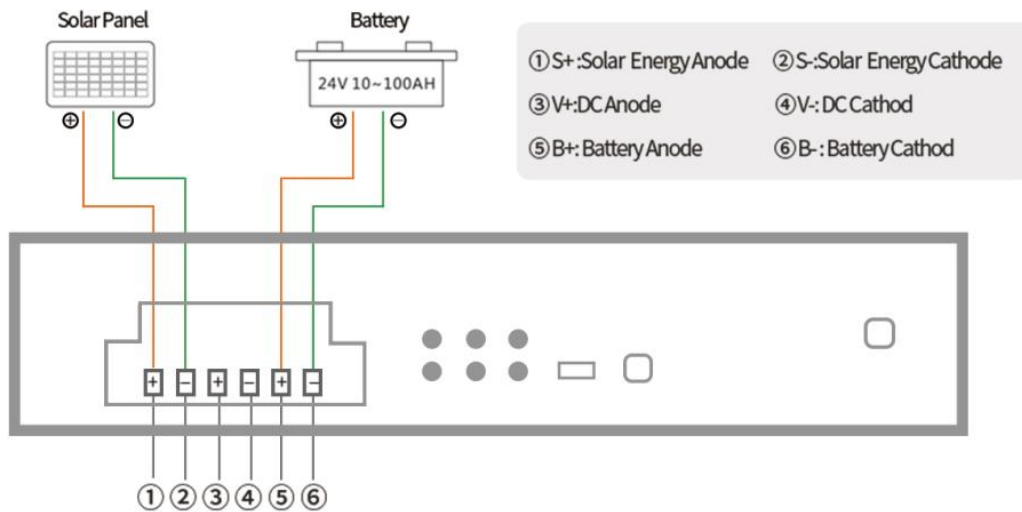


Port	MAX power	Voltage	Application	PIN
Port 1	60W	802.3af/at/bt 48V	Dome camera	1,2,4,5+ 3,6,7,8-
Port 2-3	30W	802.3af/at 48V	Bullet camera	1,2+ 3,6-
Port 4-5	30W	Passive 24V/802.3af/at 48V	Wireless Transmitor	1,2,4,5+ 3,6,7,8-



<b>CPU: System Operation LED</b> 1-2S Flicker: Battery normal; 1-4S Flicker: Battery failed	<b>BOT: Discharging LED</b> 1-2S Flicker: Battery will run out	<b>SIN: Solar Energy Input LED</b> 1-4S Flicker: Solar Energy Input Abnormal 1-2S Flicker: Solar Energy Charging Delaying
<b>VOT: PoE Voltage Normal LED</b>	<b>BIN: Charging LED</b> <b>BIN:1-2S Flicker</b> (Capacitor charging will be completed)	<b>VIN: DC Input LED</b> 1-4S Flicker: DC Input Abnormal

## Terminal Connection Description



Ground: Ground port

V+: For 12V Battery: DC 18-30V  
 For 24V Battery: DC: 30-36V

V-: For 12V Battery: DC 18-30V  
 For 24V Battery: DC: 30-36V

S+: For 12V Battery: 15-30V(12V standard )  
 For 24V Battery: 30-44V(24V standard )

S-: For 12V Battery: 15-30V(12V standard )  
 For 24V Battery: 30-44V(24V standard )

B+: Battery + Input 12/24V 50A Max  
 B-: Battery - Input 12/24V 50A Max

CPU 1/2s Flashing: CPU working properly  
 1/4s Flashing: Solar Charging  
 VOUT On/Flashing: VOL output  
 BOUT On/Flashing: Battery discharging  
 BIN On/Flashing: Battery charging

Battery Type Switch Button

Q: Lead acid battery

L: Lithium battery

TP2: Battery temperature detector port



**Battery 12/24V 50A Max**  
 And please use the solar panels to match it.

## Description

### What This Product Does

5GE+1SFP PoE Switch WI-PS306GF-UPS provides 5 10/100/1000Mbps ports and 1 SFP Fiber slots port, expanding your network flexibly. WI-PS306GF-UPS UPS system is designed specifically for 24V DC PoE equipment like that from Ubiquiti, Wi-Tek, Mikrotik etc and 48V PoE equipment like IP camera, VOIP Phone and wireless AP. The system provides continuous total PoE power on 5 switched PoE ports. Its inside battery controller maintains the proper charge on the batteries to

prevent over charge and controls the load to prevent over discharge. Also Its inside solar controller and DC input port support utilize the solar capacity to extend the backup time(and can charge battery at same time).

This device provides you the ideal solution for CCTV/WISP UPS no break system.

## Specification

## HARDWARE FEATURES

<b>Interface</b>	<p>5 10/100/1000Mbps RJ45 Ports (Auto Negotiation/Auto MDI/MDIX)</p> <p>1 1000Mbps SFP Slots</p>
<b>Network Media</b>	<p>10BASE-T: UTP category 3, 4, 5 cable (maximum 100m)</p> <p>100BASE-TX/1000Base-T: UTP category 5, 5e, 6 or above cable (maximum 100m)</p> <p>1000BASE-X: MMF, SMF</p> <p>1000Base-L X:62.5µm/50µm MM(2m~550m) or 10µm SMF(2m~5000m)</p>
<b>Fan Quantity</b>	Fanless
<b>Power Consumption</b>	<p>120W (max. with PoE device connected)</p> <p>5W Max (without PoE output)</p>
<b>DC Power Supply</b>	<p>For 12V Battery: DC 18-30V</p> <p>For 24V Battery: DC: 30-36V</p>
<b>Solar Panel Input</b>	<p>For 12V Battery: 15-30V(12V standard )</p> <p>For 24V Battery: 30-44V(24V standard )</p> <p>250W Max</p>
<b>Battery Input</b>	12/24V 50AH Max
<b>PoE Ports (RJ45)</b>	<p>Port1: 48V 802.3af/at bt PoE 60W (1245+, 3678-)</p> <p>Port 2-3: 48V 802.3af/at PoE 30W</p> <p>Port 4-5: 48V 802.3af/at PoE 30W or 24V Passive PoE 24W</p>
<b>Exchange Capacity</b>	12Gbps

<b>Packet Forwarding Rate</b>	8.94Mpps
<b>Mac Address Table</b>	2K
<b>Packet Buffer Memory</b>	1Mb
<b>Jumbo Frame</b>	10240 Bytes
<b>Dimensions</b>	Product Size: 158mm* 142mm*35mm (L*W*H)
<b>Protection Leve</b>	Lightning protection 6KV 6KV ESD Contact discharge
<b>Certification</b>	CE, FCC, RoHS
<b>Package Contents</b>	POE Switch Electric Line Guide Book/Warranty Card
<b>Environment</b>	Working Temperature: -20°C~60°C Storage temperature : -30°C~70°C Working Humidity : 10%~90% RH non-condensing Storage Humidity: 5%~90% RH non- condensing



**WIRELESS-TEK TECHNOLOGY LIMITED**  
[www.wireless-tek.com](http://www.wireless-tek.com)  
 Email: [sales@wireless-tek.com](mailto:sales@wireless-tek.com)  
 Technical Support: [tech@wireless-tek.com](mailto:tech@wireless-tek.com)